



# AMBIKA<sup>®</sup>

SINCE 2007

AN ISO 9001: 2008 CERTIFIED

## BUILT FOR EVERY HOME

# PRODUCT CATALOGUE



## DIRECTOR'S DESK

---



Mr. Pramod Kumar Kandoi, Founder and Managing Director of Balaji Kripa Iron and Steel Private Ltd., is a visionary entrepreneur with over 40 years of experience in manufacturing and trading sector. A true industry veteran, he brings deep market insight and business acumen that have shaped the company's steady growth and reputation for trust, quality, and innovation.



Mr. Ayush Kandoi, a Chartered Accountant by profession, brings over 8 years of diverse experience to the family business. Having worked across PSUs, consulting firms, and large private enterprises, he has developed strong expertise in streamlining systems and processes to drive sustainable growth. His analytical approach and modern perspective complement the company's legacy with innovation and operational excellence.

### VISION

---

Our vision is to transform every house into a home of strength and sophistication by providing world-class door fittings. We aspire to be the one-stop destination for families seeking affordable luxury, offering products that unite astonishing durability with fashionable design, ensuring safety and elegance that last a lifetime.

### MISSION

---

Our mission is to manufacture premium-quality hardware products such as hinges, aldrops, handles, tower bolts, and screws with unmatched precision and durability. We are dedicated to continuous innovation and technology upgrades, ensuring our fittings deliver the strength, safety, and elegance every home deserves.

# A B O U T U S

---

Established in 2007 in Jaipur, Rajasthan, Ambika brand has emerged as a distinguished name in premium stainless-steel hardware. Celebrated by architects, designers, and discerning homeowners, our creations marry enduring strength with sophisticated aesthetics transforming everyday fittings into quiet statements of taste and refinement.

Our curated portfolio with brands spans elegant hinges, aldrops, tower bolts, window handles, screws, and bespoke fittings crafted for both residential and commercial masterpieces. Guided by advanced technology and meticulous craftsmanship, every piece is engineered to elevate spaces while embodying precision and timeless design.

Each product passes through uncompromising quality controls to ensure flawless performance and impeccable finish. With a legacy of reliability, punctual delivery, and exceptional client care, Ambika continues to set the benchmark for luxurious hardware that enhances the art of living.



# COMPANY'S GROWTH

**2007** ▶

Launched Ambika brand with SS Riveted Glossy Hinges across Rajasthan.

**2018** ▶

Scaled SS Premium Welded Hinges with a robust dealer network

**2025**

Recognized as one of India's most trusted names in door fittings segment

**2013-15** ▶

Started Manufacturing SS Aldrop, Latches, Door stopper and Window Handles

**2021** ▶

Diversified into Screws and Aluminium Tower bolt



**AMBIKA**®



## APPLICATION



HOMES



HOTELS



OFFICES



RESTAURANTS



HOSPITALS



RETAIL MALLS



AIRPORTS



KITCHENS

*Trends*

## FEATURES



MAINTENANCE  
FREE



HIGH  
DURABILITY



SMOOTH  
OPERATION



EASY TO  
INSTALL



ANTI RUST  
MATERIAL

**Stylish Design For  
Modern Interiors**



# PERFECTION

Craftsmen

Crafted for Durability,  
Designed with Quality



Architectural hardware is far more than function it embodies the elegance, strength, and sophistication that give every space its distinctive character.

We unite inspired design with enduring durability, crafting pieces that elevate interiors and leave a lasting impression of refined excellence.

# ENGINEERED

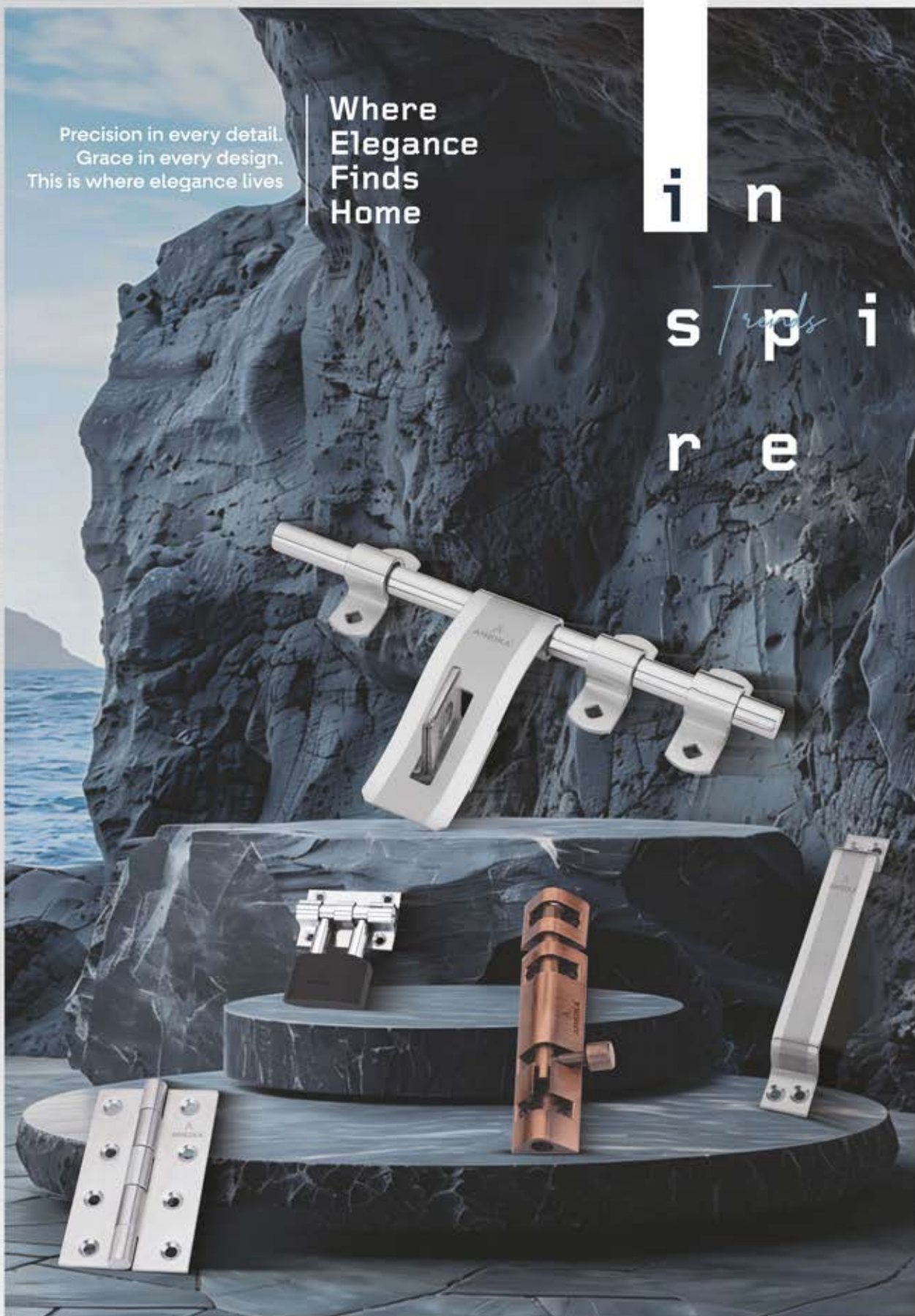
Precision in every detail.  
Grace in every design.  
This is where elegance lives

Where  
Elegance  
Finds  
Home

i n

s *Trends* i

r e



# Contents



**09**

Hinges



**17**

Aldrop



**35**

Handle



**41**

Tower Bolt



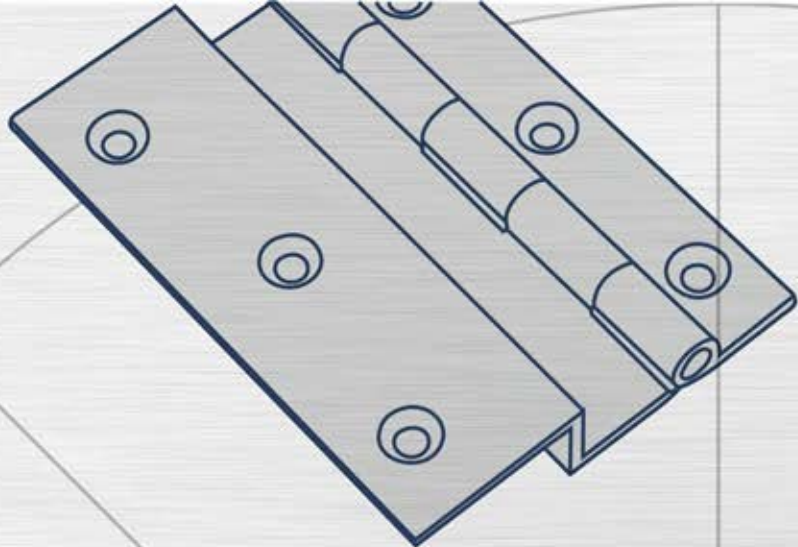
**57**

Door Stopper  
& Gate Hook

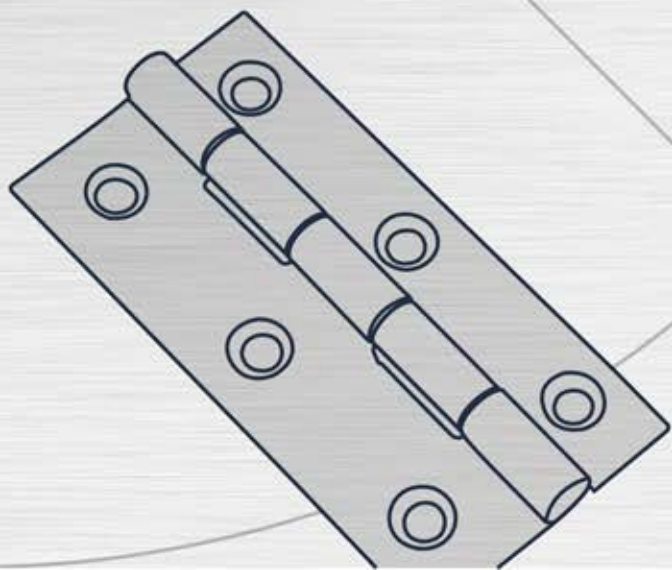


**59**

Screw



# STAINLESS STEEL HINGES





## 01 Stainless Steel Hinges



# AMBIKA®



## 01 S.S. Butt Hinges

CODE	LENGTH(MM)	WIDTH (MM)	SHEET THICKNESS (MM)	PACKING (Pc. x Box)	M.R.P. (1 Pc.)
AM-01	62.50 (2.5 X 16)	17 X 17	1.50	30 X 24	33.00
AM-02	75 (3 X 16)	20 X 20	1.70	20 X 24	41.00
AM-03	75 (3 X 14)	20 X 20	1.90	20 X 24	47.00
AM-04	100 (4 X 14)	24 X 24	1.90	10 X 24	73.00
AM-05	125 (5 X 14)	27 X 27	1.90	10 X 24	98.00

AVAILABLE FINISHES





## 01 Stainless Steel Hinges

**AMBIKA**<sup>®</sup>



## 02. S.S. Heavy Butt Hinges

CODE	LENGTH(MM)	WIDTH (MM)	SHEET THICKNESS (MM)	PACKING (Pc. x Box)	M.R.P. (1 Pc.)
AM-06	75 (3 X 12)	22 X 22	2.50	20 X 24	66.00
AM-07	100 (4 X 12)	25 X 25	2.50	10 X 24	94.00
AM-08	125 (5 X 12)	28 X 28	2.50	10 X 24	116.00
AM-09	150 (6 X 12)	32 X 32	2.50	10 X 24	159.00
AM-10	100 (4 X 10)	32 X 32	3.00	10 X 20	144.00
AM-11	125 (5 X 10)	33.5 X 33.5	3.00	10 X 20	181.00
AM-12	150 (6 X 10)	30 X 30	3.00	10 X 20	211.00

### AVAILABLE FINISHES

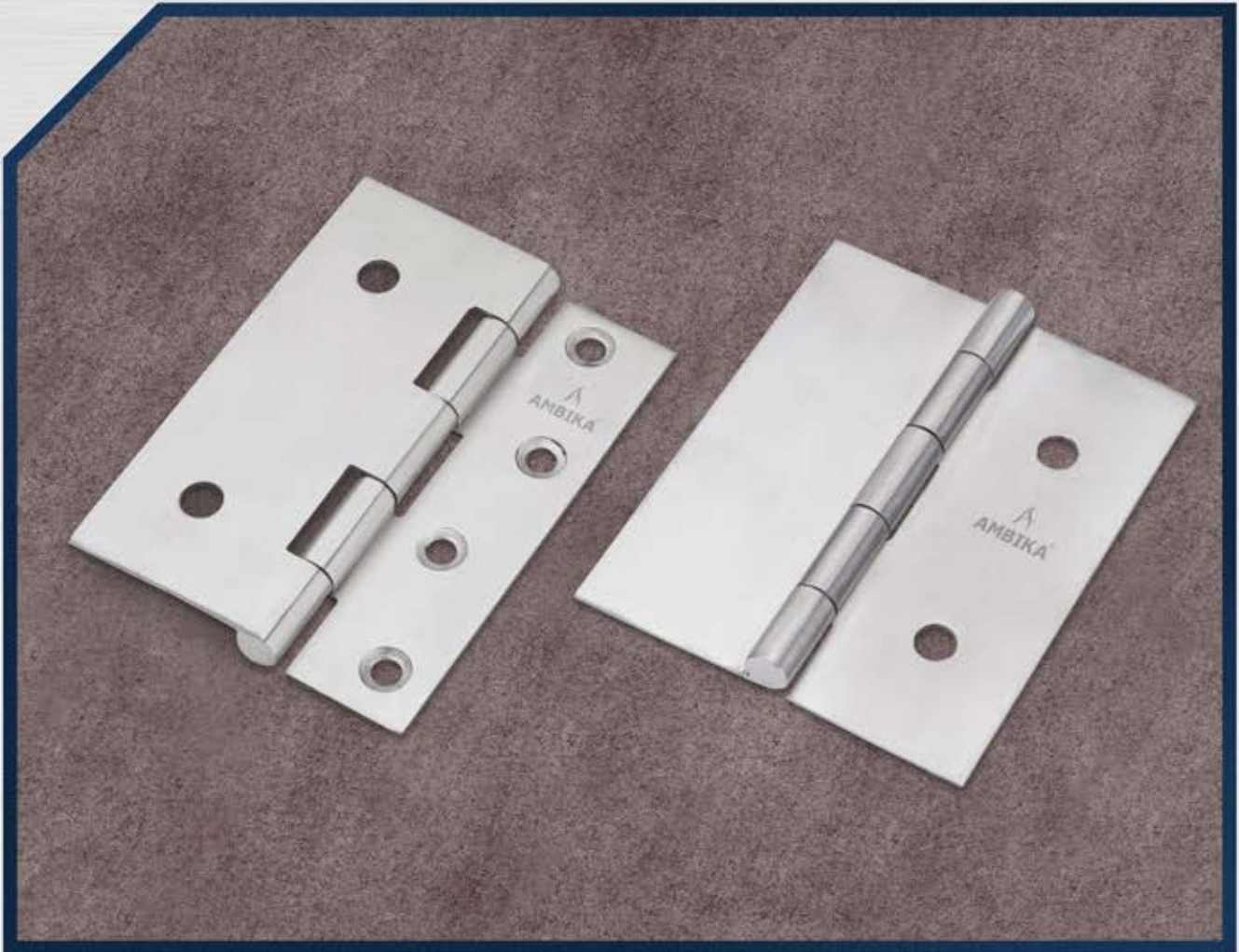




## 01 Stainless Steel Hinges



**AMBIKA**<sup>®</sup>



### 03-A. Stone Hinges

CODE	LENGHT(MM)	SHEET THICKNESS (MM)	PACKING (Pc. x Box)	M.R.P. (1 Pc.)
AM-13	100 X 36 X 36	1.50	8 X 24	78.00

### 03-B. Stone Cut Hinges

CODE	LENGHT(MM)	SHEET THICKNESS (MM)	PACKING (Pc. x Box)	M.R.P. (1 Pc.)
AM-14	100 X 37 X 24	1.50	8 X 24	75.00
AM-15	100 X 50 X 24	1.50	6 X 24	90.00



## 01 Stainless Steel Hinges

**AMBIKA**<sup>®</sup>



### 04. Narrow Hinges

CODE	LENGHT(MM)	SHEET THICKNESS (MM)	PACKING (Pc. x Box)	M.R.P. (1 Pc.)
AM-16	75 X 18 X 18	1.20	40 X 24	32.00
AM-17	75 X 19 X 19	1.50	30 X 24	40.00
AM-18	75 X 25 X 25	1.70	20 X 24	49.00
AM-19	100 X 19 X 19	1.50	15 X 24	52.00



## 01 Stainless Steel Hinges

**AMBIKA**<sup>®</sup>



## 05. Cut Hinges

CODE	SIZE (MM)	SHEET THICKNESS (MM)	PACKING (Pc. x Box)	M.R.P. (1 Pc.)
AM-20	75 X 13 X 25	1.50	30 X 24	40.00
AM-21	75 X 13 X 32	1.50	20 X 24	44.00
AM-22	75 X 15 X 10	1.50	40 X 24	29.00
AM-23	75 X 19 X 13 (L)	1.20	40 X 24	29.00
AM-24	75 X 19 X 13 (M)	1.50	30 X 24	37.00
AM-25	75 X 19 X 25	1.50	30 X 24	42.00
AM-26	75 X 27 X 10	1.50	30 X 24	36.00
AM-27	100 X 19 X 25	1.50	15 X 24	54.00
AM-28	100 X 19 X 13	1.50	20 X 24	47.00



## 01 Stainless Steel Hinges



**AMBIKA**<sup>®</sup>



## 06. L Hinges

CODE	LENGHT(MM)	SHEET THICKNESS (MM)	PACKING (Pc. x Box)	M.R.P. (1 Pc.)
AM-29	75 X 13 X 6	1.70	20 X 24	52.00
AM-30	75 X 13 X 12	1.70	20 X 24	56.00

## 07. Flush Door / Butterfly Hinges (Without Screw)

CODE	LENGHT(MM)	SHEET THICKNESS (MM)	PACKING (Pc. x Box)	M.R.P. (1 Pc.)
AM-31	4 X 3 X 2.5	2.50	10 X 24	200.00
AM-32	5 X 3 X 2.5	2.50	10 X 24	225.00



## 01 Stainless Steel Hinges



### 08-A. Two Ball Bearing Hinges (202 Grade)

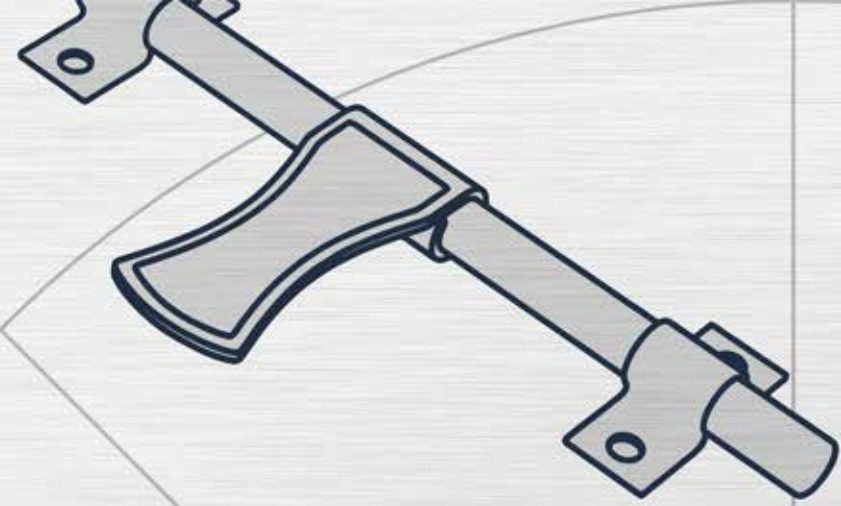
CODE	SIZE (MM)	SHEET THICKNESS (MM)	PACKING (Pc. x Box)	M.R.P. (1 Pc.)
AM-33	4 X 3 X 3 (31X31)	3.00	10 X 20	190.00

### 08-B. Four Ball Bearing Hinges (202 Grade)

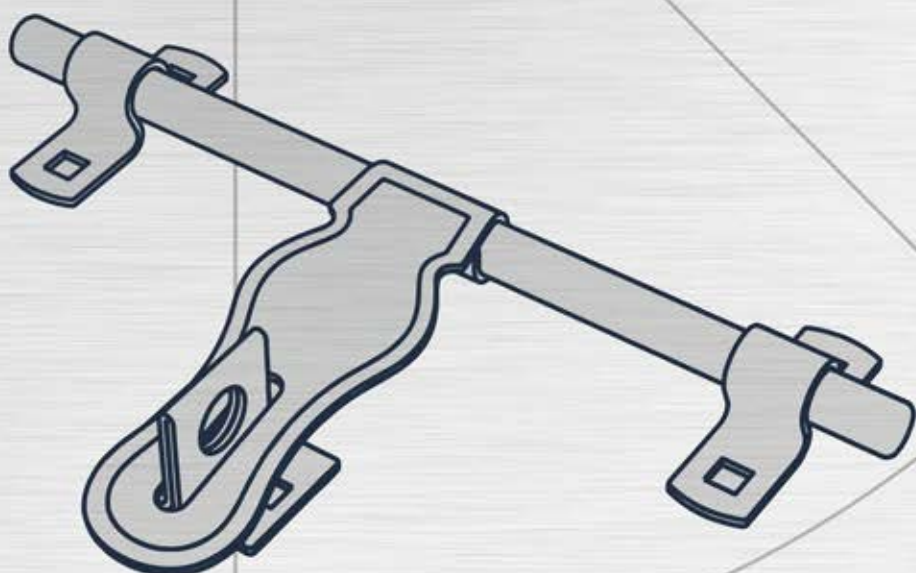
CODE	SIZE (MM)	SHEET THICKNESS (MM)	PACKING (Pc. x Box)	M.R.P. (1 Pc.)
AM-34	5 X 3 X 2.5 (30X30)	2.50	10 X 20	213.00

### 08-C. Two Ball Bearing Hinges (304 Grade)

CODE	SIZE (MM)	SHEET THICKNESS (MM)	PACKING (Pc. x Box)	M.R.P. (1 Pc.)
AM-35	4 X 3 X 3 (31X31)	3.00	5 X 20	275.00



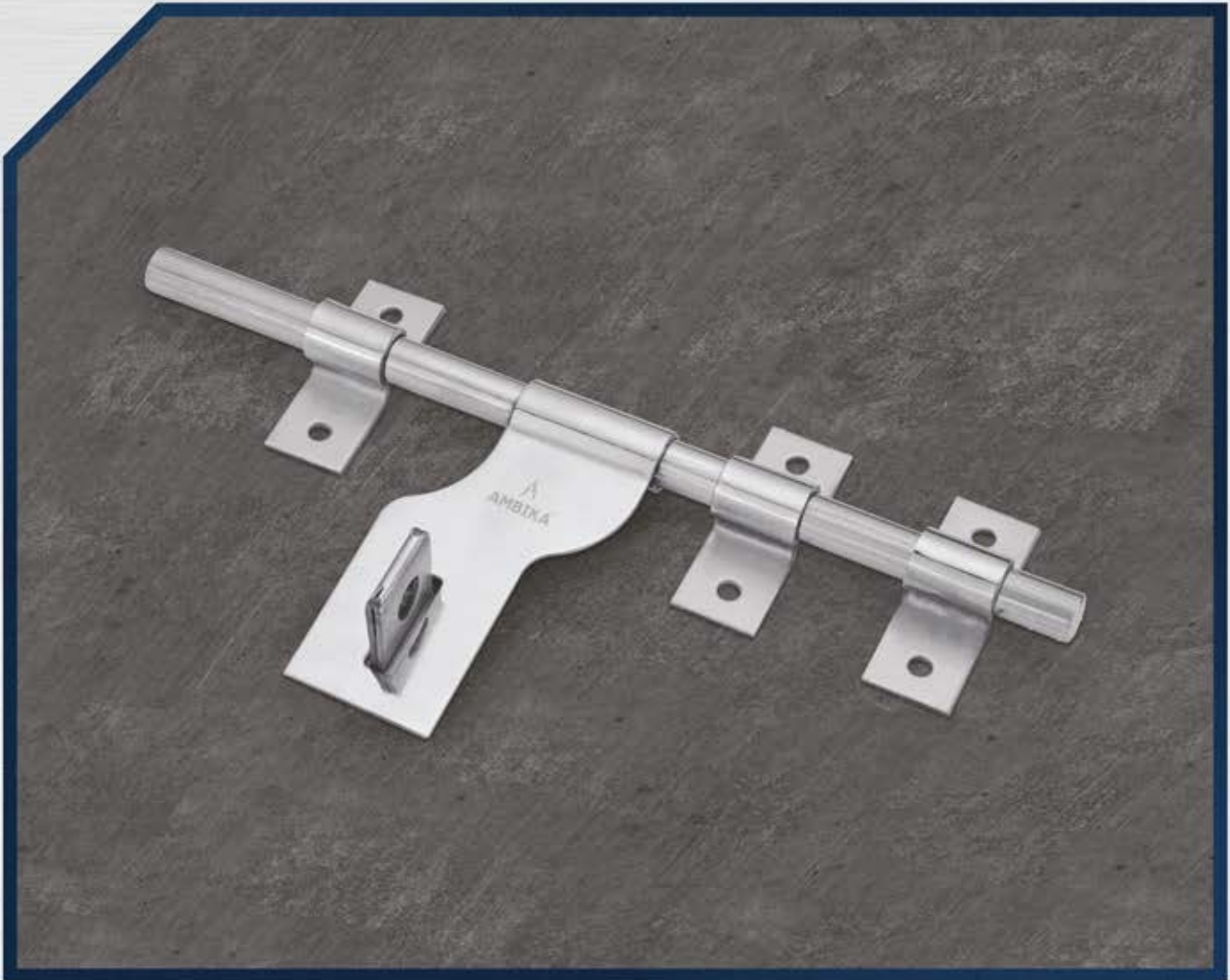
# STAINLESS STEEL ALDROP





## 02 Stainless Steel Aldrop

**AMBIKA**<sup>®</sup>



## 01 Band

CODE	ROD LENGHT (IN INCH)	ROD SIZE (MM)	SHEET THICKNESS (MM)	KRAM + LOCK	PACKING (Pc. x Box)	M.R.P. (1 Pc.)
AM-36	6"	8	2.00	3+1	12 X 10	78
AM-37	8"	8	2.00	3+1	12 X 10	85
AM-38	10"	8	2.00	3+1	12 X 10	92
AM-39	6"	10	2.00	3+1	12 X 10	100
AM-40	8"	10	2.00	3+1	12 X 10	110
AM-41	10"	10	2.00	3+1	12 X 10	128
AM-42	12"	10	2.00	3+1	12 X 10	150
AM-43	8"	12	2.00	3+1	6 X 10	184
AM-44	10"	12	2.00	3+1	6 X 10	205
AM-45	12"	12	2.00	3+1	4 X 10	235



02 Stainless Steel  
Aldrop



**AMBICA**<sup>®</sup>



## 02 Star Diamond

CODE	ROD LENGTH (IN INCH)	ROD SIZE (MM)	SHEET THICKNESS (MM)	KRAM + LOCK	PACKING (Pc. x Box)	M.R.P. (1 Pc.)
AM-46	8"	14	2.00	2+1	6 X 10	197
AM-47	10"	14	2.00	2+1	6 X 10	227
AM-48	12"	14	2.00	3+1	4 X 10	276
AM-49	14"	14	2.00	4+1	4 X 10	317
AM-50	8"	14	3.00	2+1	6 X 10	239
AM-51	10"	14	3.00	2+1	6 X 10	284
AM-52	12"	14	3.00	3+1	4 X 10	322
AM-53	14"	14	3.00	4+1	4 X 10	385
AM-54	8"	16	3.00	2+1	6 X 10	278
AM-55	10"	16	3.00	2+1	6 X 10	315
AM-56	12"	16	3.00	3+1	4 X 10	371
AM-57	14"	16	3.00	4+1	4 X 10	431
AM-58	16"	16	3.00	4+1	4 X 10	467



## 02 Stainless Steel Aldrop



# AMBIKA®



## 03. Rolex

CODE	ROD LENGHT (IN INCH)	ROD SIZE (MM)	SHEET THICKNESS (MM)	KRAM + LOCK	PACKING (Pc. x Box)	M.R.P. (1 Pc.)
AM-59	8"	14	2.00	2+1	6 X 10	197
AM-60	10"	14	2.00	2+1	6 X 10	227
AM-61	12"	14	2.00	3+1	4 X 10	276
AM-62	14"	14	2.00	4+1	4 X 10	317
AM-63	8"	14	3.00	2+1	6 X 10	239
AM-64	10"	14	3.00	2+1	6 X 10	284
AM-65	12"	14	3.00	3+1	4 X 10	322
AM-66	14"	14	3.00	4+1	4 X 10	385
AM-67	8"	16	3.00	2+1	6 X 10	278
AM-68	10"	16	3.00	2+1	6 X 10	315
AM-69	12"	16	3.00	3+1	4 X 10	371
AM-70	14"	16	3.00	4+1	4 X 10	431
AM-71	16"	16	3.00	4+1	4 X 10	467



02 Stainless Steel  
Aldrop



**AMBIKA**<sup>®</sup>



## 04. Matka

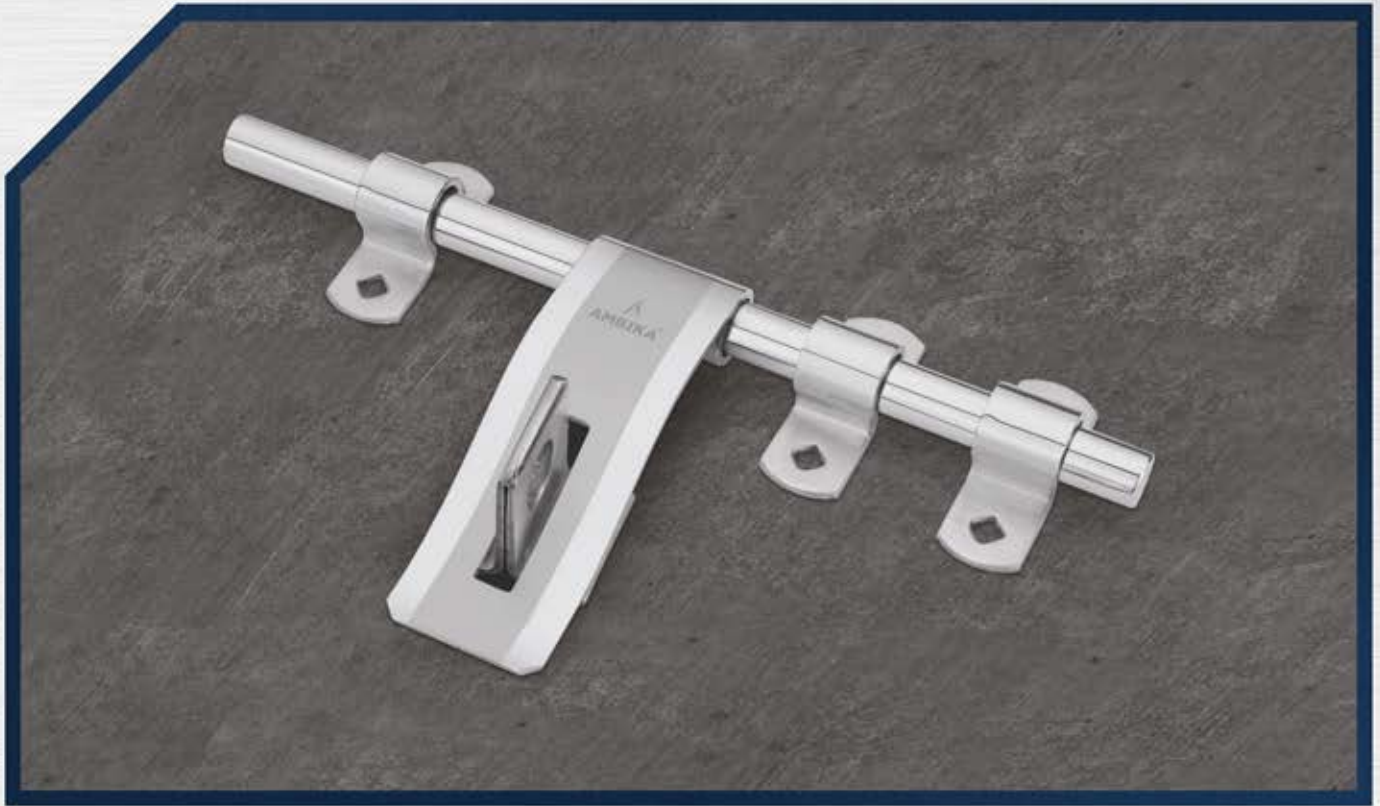
CODE	ROD LENGHT (IN INCH)	ROD SIZE (MM)	SHEET THICKNESS (MM)	KRAM + LOCK	PACKING (Pc. x Box)	M.R.P. (1 Pc.)
AM-72	8"	14	2.00	2+1	6 X 10	197
AM-73	10"	14	2.00	2+1	6 X 10	227
AM-74	12"	14	2.00	3+1	4 X 10	276
AM-75	14"	14	2.00	4+1	4 X 10	317
AM-76	8"	14	3.00	2+1	6 X 10	239
AM-77	10"	14	3.00	2+1	6 X 10	284
AM-78	12"	14	3.00	3+1	4 X 10	322
AM-79	14"	14	3.00	4+1	4 X 10	385
AM-80	8"	16	3.00	2+1	6 X 10	278
AM-81	10"	16	3.00	2+1	6 X 10	315
AM-82	12"	16	3.00	3+1	4 X 10	371
AM-83	14"	16	3.00	4+1	4 X 10	431
AM-84	16"	16	3.00	4+1	4 X 10	467



02 Stainless Steel  
Aldrop



**AMBIKA®**



## 05. Lehar

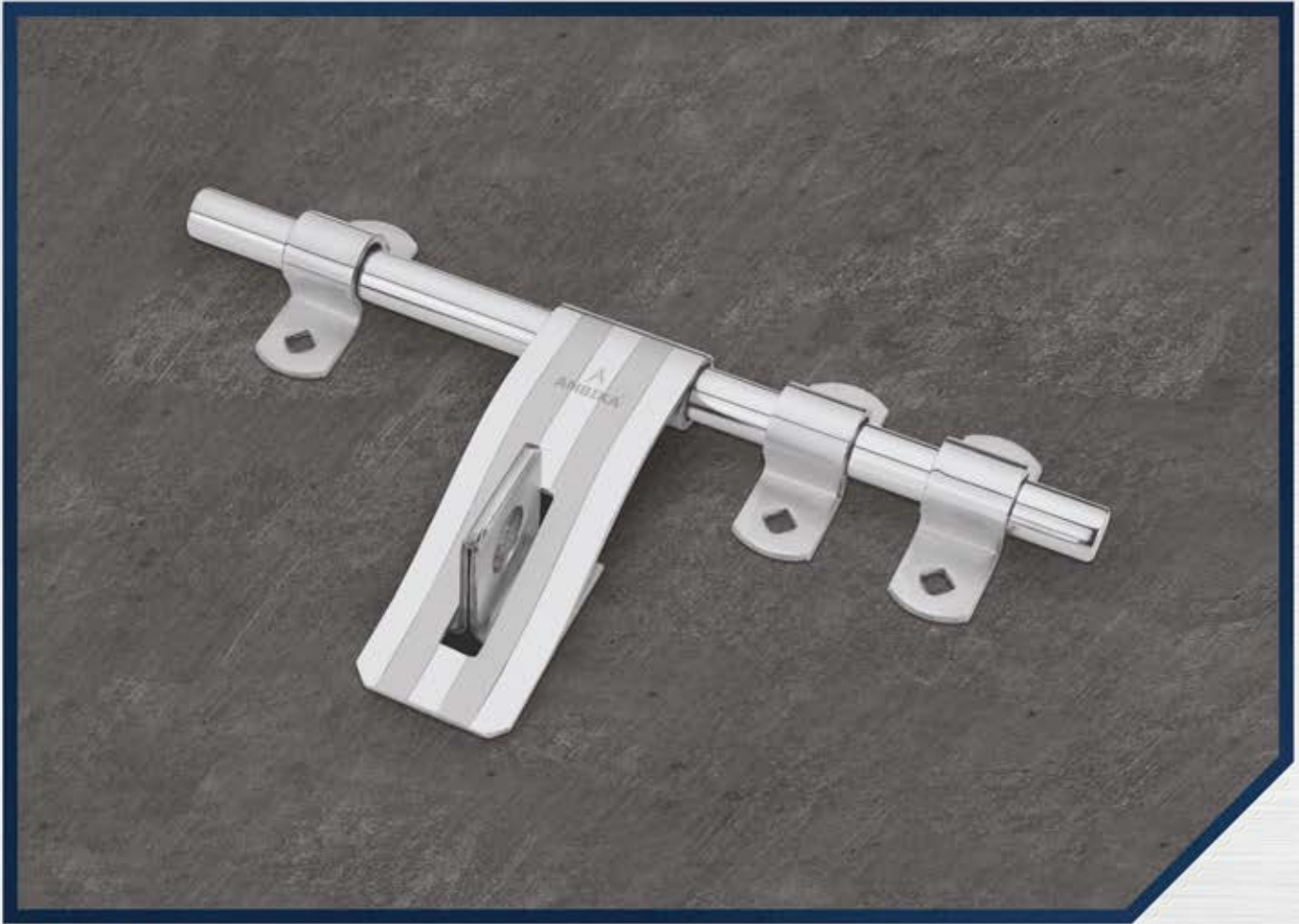
CODE	ROD LENGHT (IN INCH)	ROD SIZE (MM)	SHEET THICKNESS (MM)	KRAM + LOCK	PACKING (Pc. x Box)	M.R.P. (1 Pc.)
AM-85	8"	12	2.00	2+1	6 X 10	164
AM-86	10"	12	2.00	2+1	6 X 10	186
AM-87	12"	12	2.00	3+1	4 X 10	209
AM-88	8"	14	2.00	2+1	6 X 10	197
AM-89	10"	14	2.00	2+1	6 X 10	227
AM-90	12"	14	2.00	3+1	4 X 10	276
AM-91	14"	14	2.00	4+1	4 X 10	317
AM-92	8"	14	3.00	2+1	6 X 10	239
AM-93	10"	14	3.00	2+1	6 X 10	284
AM-94	12"	14	3.00	3+1	4 X 10	322
AM-95	14"	14	3.00	4+1	4 X 10	385
AM-96	8"	16	3.00	2+1	6 X 10	278
AM-97	10"	16	3.00	2+1	6 X 10	315
AM-98	12"	16	3.00	3+1	4 X 10	371
AM-99	14"	16	3.00	4+1	4 X 10	431
AM-100	16"	16	3.00	4+1	4 X 10	467



02 Stainless Steel  
Aldrop



**AMBICA**<sup>®</sup>



## 06. Oskar

CODE	ROD LENGTH (IN INCH)	ROD SIZE (MM)	SHEET THICKNESS (MM)	KRAM + LOCK	PACKING (Pc. x Box)	M.R.P. (1 Pc.)
AM-101	8"	14	2.00	2+1	6 X 10	197
AM-102	10"	14	2.00	2+1	6 X 10	227
AM-103	12"	14	2.00	3+1	4 X 10	276
AM-104	14"	14	2.00	4+1	4 X 10	317
AM-105	8"	14	3.00	2+1	6 X 10	239
AM-106	10"	14	3.00	2+1	6 X 10	284
AM-107	12"	14	3.00	3+1	4 X 10	322
AM-108	14"	14	3.00	4+1	4 X 10	385
AM-109	8"	16	3.00	2+1	6 X 10	278
AM-110	10"	16	3.00	2+1	6 X 10	315
AM-111	12"	16	3.00	3+1	4 X 10	371
AM-112	14"	16	3.00	4+1	4 X 10	431
AM-113	16"	16	3.00	4+1	4 X 10	467



02 Stainless Steel  
Aldrop



**AMBIKA**<sup>®</sup>



## 07. Platinum

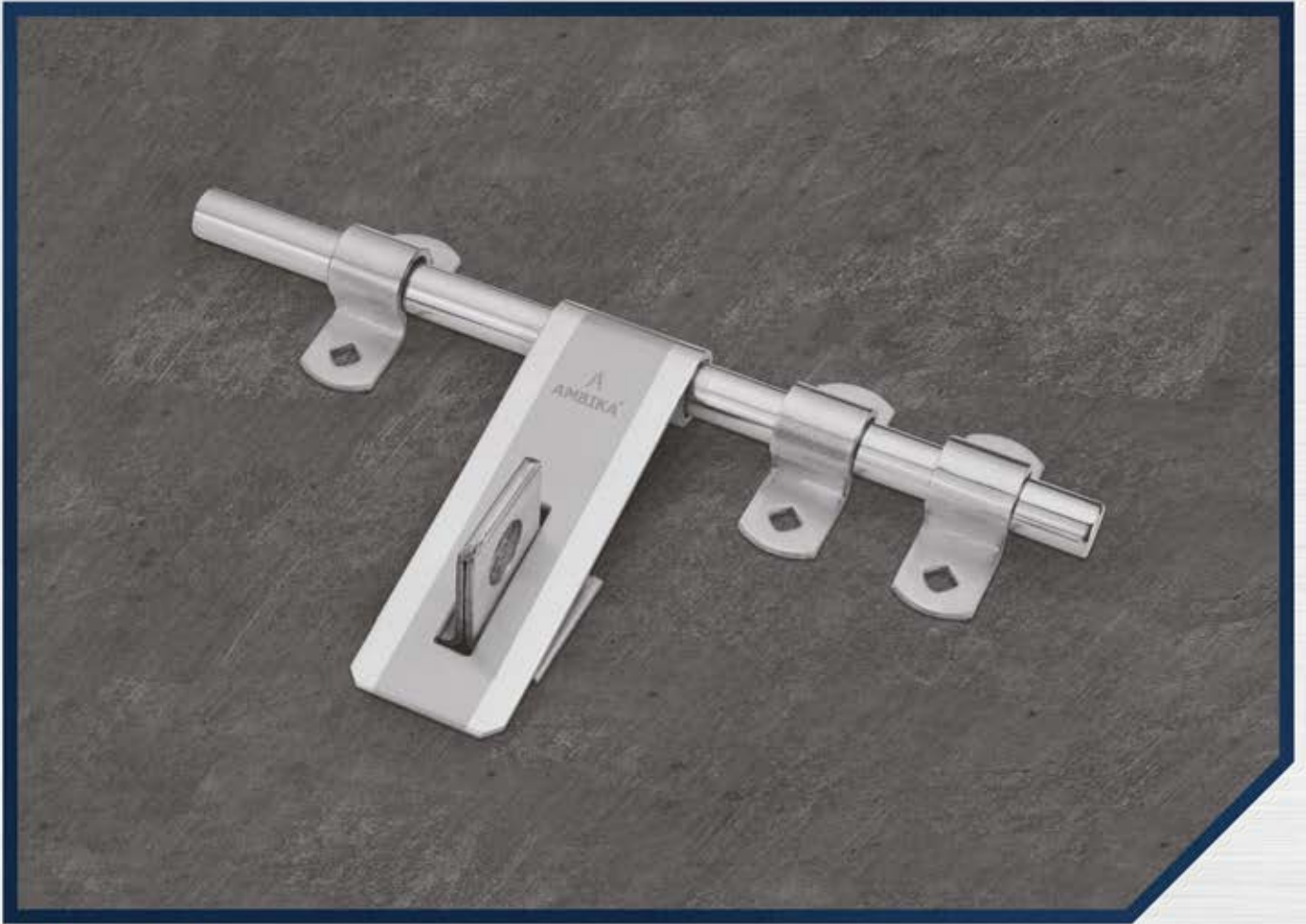
CODE	ROD LENGTH (IN INCH)	ROD SIZE (MM)	SHEET THICKNESS (MM)	KRAM + LOCK	PACKING (Pc. x Box)	M.R.P. (1 Pc.)
AM-114	8"	14	2.00	2+1	6 X 10	197
AM-115	10"	14	2.00	2+1	6 X 10	227
AM-116	12"	14	2.00	3+1	4 X 10	276
AM-117	14"	14	2.00	4+1	4 X 10	317
AM-118	8"	14	3.00	2+1	6 X 10	239
AM-119	10"	14	3.00	2+1	6 X 10	284
AM-120	12"	14	3.00	3+1	4 X 10	322
AM-121	14"	14	3.00	4+1	4 X 10	385
AM-122	8"	16	3.00	2+1	6 X 10	278
AM-123	10"	16	3.00	2+1	6 X 10	315
AM-124	12"	16	3.00	3+1	4 X 10	371
AM-125	14"	16	3.00	4+1	4 X 10	431
AM-126	16"	16	3.00	4+1	4 X 10	467



02 Stainless Steel  
Aldrop



**AMBIKA**<sup>®</sup>



## 08. Rainbow

CODE	ROD LENGTH (IN INCH)	ROD SIZE (MM)	SHEET THICKNESS (MM)	KRAM + LOCK	PACKING (Pc. x Box)	M.R.P. (1 Pc.)
AM-127	8"	14	2.00	2+1	6 X 10	197
AM-128	10"	14	2.00	2+1	6 X 10	227
AM-129	12"	14	2.00	3+1	4 X 10	276
AM-130	14"	14	2.00	4+1	4 X 10	317
AM-131	8"	14	3.00	2+1	6 X 10	239
AM-132	10"	14	3.00	2+1	6 X 10	284
AM-133	12"	14	3.00	3+1	4 X 10	322
AM-134	14"	14	3.00	4+1	4 X 10	385
AM-135	8"	16	3.00	2+1	6 X 10	278
AM-136	10"	16	3.00	2+1	6 X 10	315
AM-137	12"	16	3.00	3+1	4 X 10	371
AM-138	14"	16	3.00	4+1	4 X 10	431
AM-139	16"	16	3.00	4+1	4 X 10	467



02 Stainless Steel  
Aldrop



**AMBIKA**<sup>®</sup>



## 09. T. Gold

CODE	ROD LENGTH (IN INCH)	ROD SIZE (MM)	SHEET THICKNESS (MM)	KRAM + LOCK	PACKING (Pc. x Box)	M.R.P. (1 Pc.)
AM-140	8"	14	2.00	2+1	6 X 10	197
AM-141	10"	14	2.00	2+1	6 X 10	227
AM-142	12"	14	2.00	3+1	4 X 10	276
AM-143	14"	14	2.00	4+1	4 X 10	317
AM-144	8"	14	3.00	2+1	6 X 10	239
AM-145	10"	14	3.00	2+1	6 X 10	284
AM-146	12"	14	3.00	3+1	4 X 10	322
AM-147	14"	14	3.00	4+1	4 X 10	385
AM-148	8"	16	3.00	2+1	6 X 10	278
AM-149	10"	16	3.00	2+1	6 X 10	315
AM-150	12"	16	3.00	3+1	4 X 10	371
AM-151	14"	16	3.00	4+1	4 X 10	431
AM-152	16"	16	3.00	4+1	4 X 10	467



02 Stainless Steel  
Aldrop



**AMBIKA**<sup>®</sup>



## 10. Max

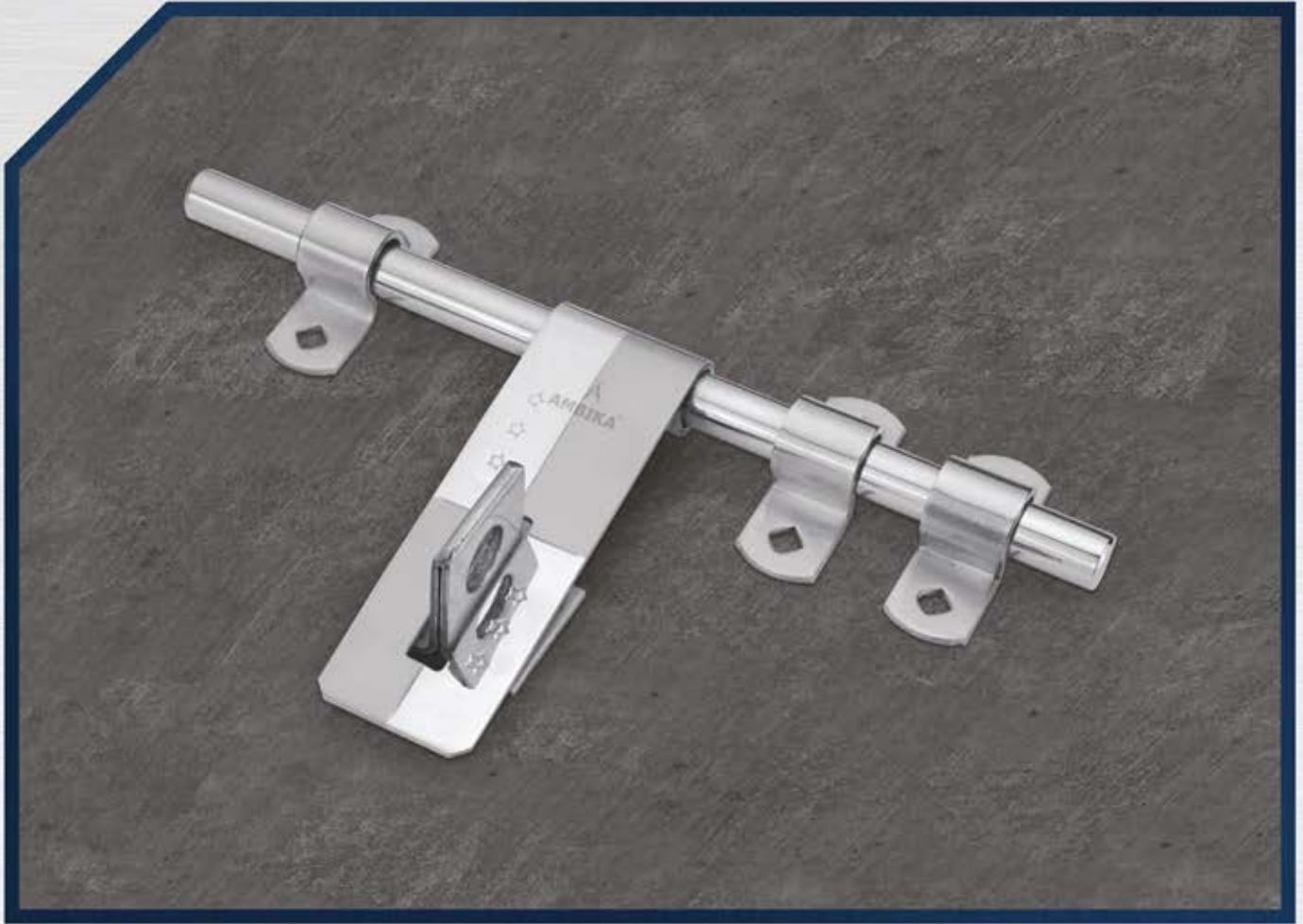
CODE	ROD LENGHT (IN INCH)	ROD SIZE (MM)	SHEET THICKNESS (MM)	KRAM + LOCK	PACKING (Pc. x Box)	M.R.P. (1 Pc.)
AM-153	8"	14	2.00	2+1	6 X 10	197
AM-154	10"	14	2.00	2+1	6 X 10	227
AM-155	12"	14	2.00	3+1	4 X 10	276
AM-156	14"	14	2.00	4+1	4 X 10	317
AM-157	8"	14	3.00	2+1	6 X 10	239
AM-158	10"	14	3.00	2+1	6 X 10	284
AM-159	12"	14	3.00	3+1	4 X 10	322
AM-160	14"	14	3.00	4+1	4 X 10	385
AM-161	8"	16	3.00	2+1	6 X 10	278
AM-162	10"	16	3.00	2+1	6 X 10	315
AM-163	12"	16	3.00	3+1	4 X 10	371
AM-164	14"	16	3.00	4+1	4 X 10	431
AM-165	16"	16	3.00	4+1	4 X 10	467



02 Stainless Steel  
Aldrop



**AMBICA**<sup>®</sup>



## 11 Star Gold

CODE	ROD LENGTH (IN INCH)	ROD SIZE (MM)	SHEET THICKNESS (MM)	KRAM + LOCK	PACKING (Pc. x Box)	M.R.P. (1 Pc.)
AM-166	8"	14	2.00	2+1	6 X 10	197
AM-167	10"	14	2.00	2+1	6 X 10	227
AM-168	12"	14	2.00	3+1	4 X 10	276
AM-169	14"	14	2.00	4+1	4 X 10	317
AM-170	8"	14	3.00	2+1	6 X 10	239
AM-171	10"	14	3.00	2+1	6 X 10	284
AM-172	12"	14	3.00	3+1	4 X 10	322
AM-173	14"	14	3.00	4+1	4 X 10	385
AM-174	8"	16	3.00	2+1	6 X 10	278
AM-175	10"	16	3.00	2+1	6 X 10	315
AM-176	12"	16	3.00	3+1	4 X 10	371
AM-177	14"	16	3.00	4+1	4 X 10	431
AM-178	16"	16	3.00	4+1	4 X 10	467



02 Stainless Steel  
Aldrop

  
**AMBIKA**<sup>®</sup>



## 12. Premium Gold

CODE	ROD LENGTH (IN INCH)	ROD SIZE (MM)	SHEET THICKNESS (MM)	KRAM + LOCK	PACKING (Pc. x Box)	M.R.P. (1 Pc.)
AM-179	8"	14	2.00	2+1	6 X 10	197
AM-180	10"	14	2.00	2+1	6 X 10	227
AM-181	12"	14	2.00	3+1	4 X 10	276
AM-182	14"	14	2.00	4+1	4 X 10	317
AM-183	8"	14	3.00	2+1	6 X 10	239
AM-184	10"	14	3.00	2+1	6 X 10	284
AM-185	12"	14	3.00	3+1	4 X 10	322
AM-186	14"	14	3.00	4+1	4 X 10	385
AM-187	8"	16	3.00	2+1	6 X 10	278
AM-188	10"	16	3.00	2+1	6 X 10	315
AM-189	12"	16	3.00	3+1	4 X 10	371
AM-190	14"	16	3.00	4+1	4 X 10	431
AM-191	16"	16	3.00	4+1	4 X 10	467



02 Stainless Steel  
Aldrop



**AMBIKA**<sup>®</sup>



### 13. Rado

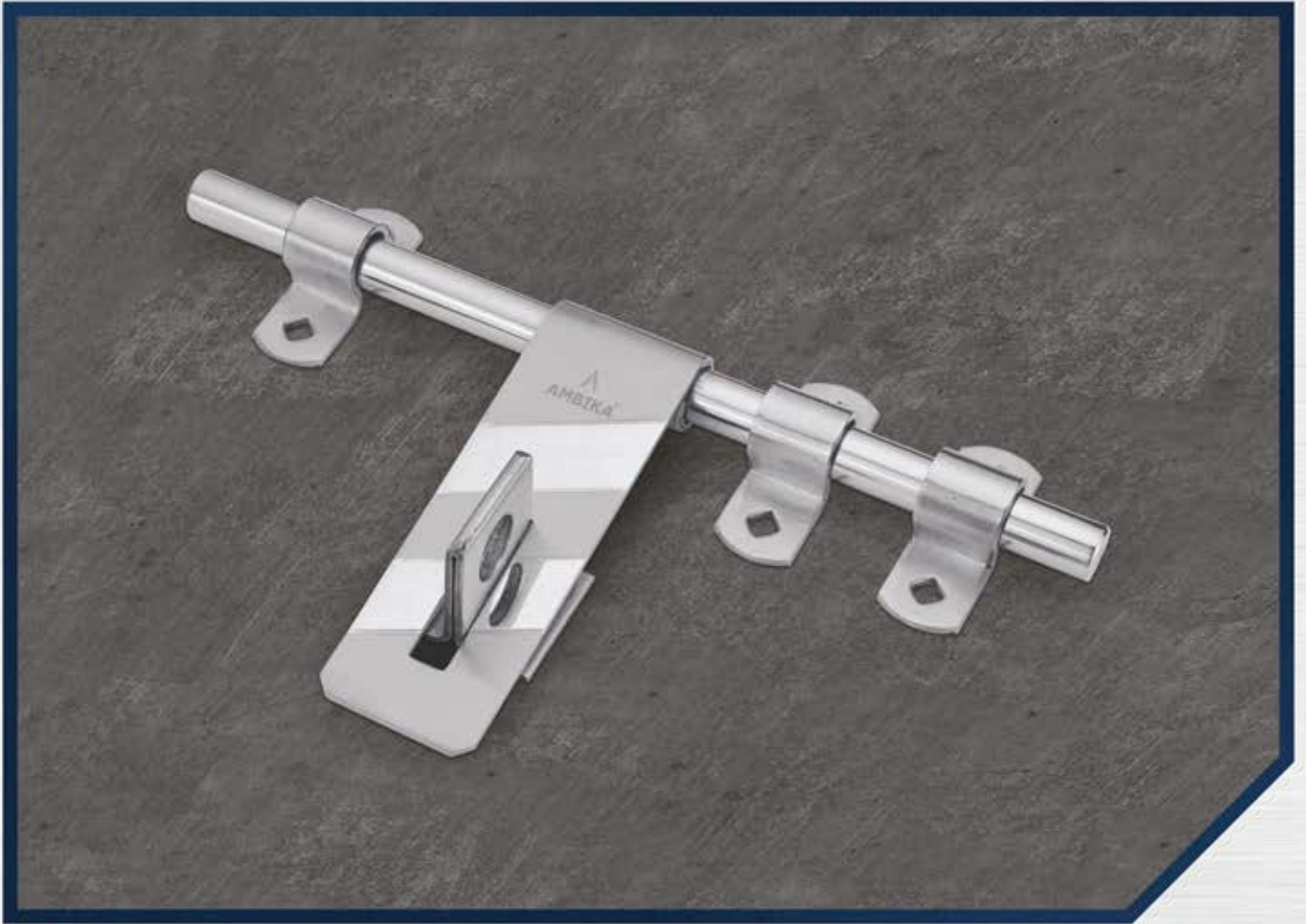
CODE	ROD LENGHT (IN INCH)	ROD SIZE (MM)	SHEET THICKNESS (MM)	KRAM + LOCK	PACKING (Pc. x Box)	M.R.P. (1 Pc.)
AM-192	8"	14	2.00	2+1	6 X 10	197
AM-193	10"	14	2.00	2+1	6 X 10	227
AM-194	12"	14	2.00	3+1	4 X 10	276
AM-195	14"	14	2.00	4+1	4 X 10	317
AM-196	8"	14	3.00	2+1	6 X 10	239
AM-197	10"	14	3.00	2+1	6 X 10	284
AM-198	12"	14	3.00	3+1	4 X 10	322
AM-199	14"	14	3.00	4+1	4 X 10	385
AM-200	8"	16	3.00	2+1	6 X 10	278
AM-201	10"	16	3.00	2+1	6 X 10	315
AM-202	12"	16	3.00	3+1	4 X 10	371
AM-203	14"	16	3.00	4+1	4 X 10	431
AM-204	16"	16	3.00	4+1	4 X 10	467



02 Stainless Steel  
Aldrop



**AMBIKA**<sup>®</sup>



## 14. Emerald

CODE	ROD LENGTH (IN INCH)	ROD SIZE (MM)	SHEET THICKNESS (MM)	KRAM + LOCK	PACKING (Pc. x Box)	M.R.P. (1 Pc.)
AM-205	8"	14	2.00	2+1	6 X 10	197
AM-206	10"	14	2.00	2+1	6 X 10	227
AM-207	12"	14	2.00	3+1	4 X 10	276
AM-208	14"	14	2.00	4+1	4 X 10	317
AM-209	8"	14	3.00	2+1	6 X 10	239
AM-210	10"	14	3.00	2+1	6 X 10	284
AM-211	12"	14	3.00	3+1	4 X 10	322
AM-212	14"	14	3.00	4+1	4 X 10	385
AM-213	8"	16	3.00	2+1	6 X 10	278
AM-214	10"	16	3.00	2+1	6 X 10	315
AM-215	12"	16	3.00	3+1	4 X 10	371
AM-216	14"	16	3.00	4+1	4 X 10	431
AM-217	16"	16	3.00	4+1	4 X 10	467



02 Stainless Steel  
Aldrop



**AMBIKA**<sup>®</sup>



## 15. Sonata

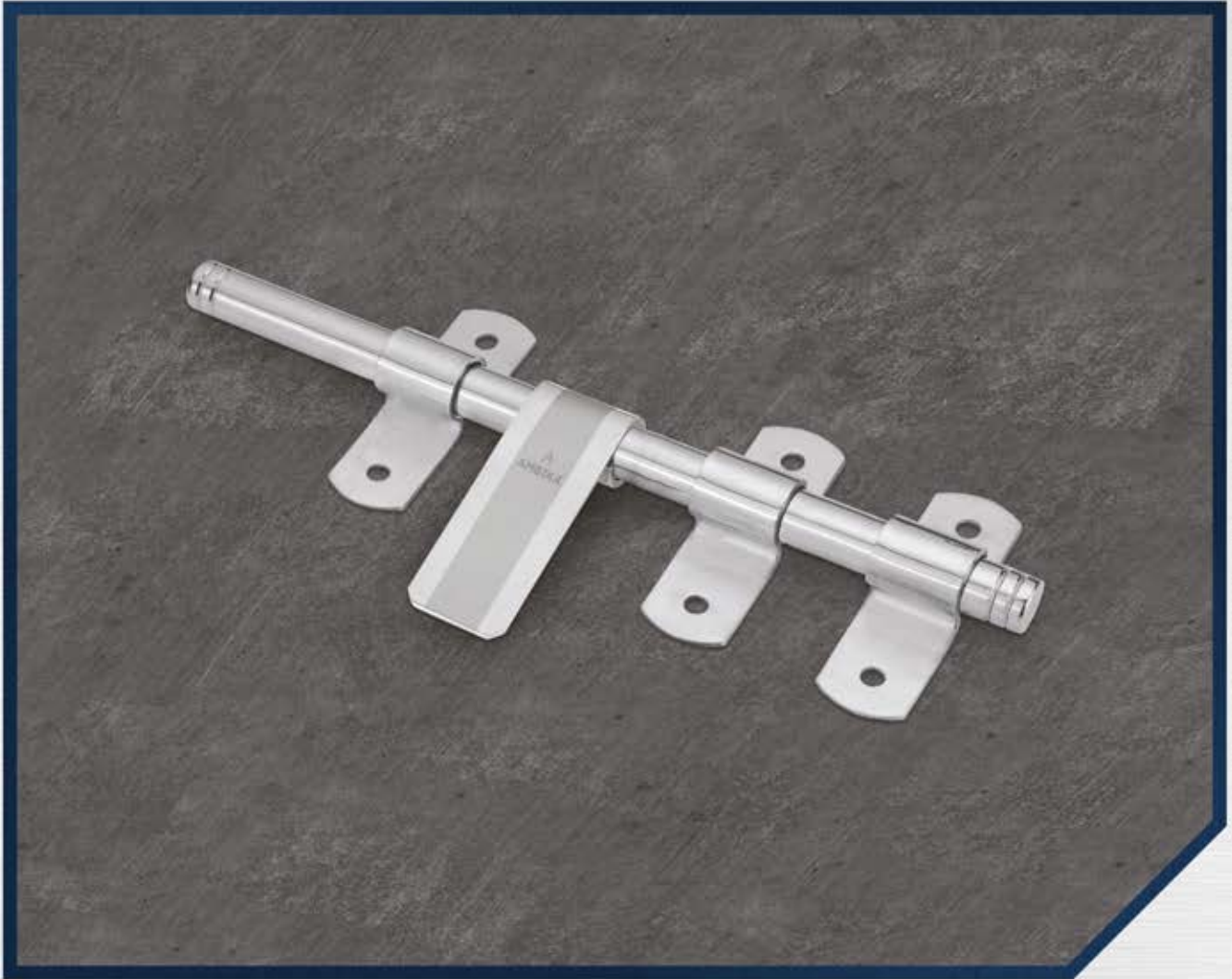
CODE	ROD LENGTH (IN INCH)	ROD SIZE (MM)	SHEET THICKNESS (MM)	KRAM + LOCK	PACKING (Pc. x Box)	M.R.P. (1 Pc.)
AM-218	8"	14	2.00	2+1	6 X 10	197
AM-219	10"	14	2.00	2+1	6 X 10	227
AM-220	12"	14	2.00	3+1	4 X 10	276
AM-221	14"	14	2.00	4+1	4 X 10	317
AM-222	8"	14	3.00	2+1	6 X 10	239
AM-223	10"	14	3.00	2+1	6 X 10	284
AM-224	12"	14	3.00	3+1	4 X 10	322
AM-225	14"	14	3.00	4+1	4 X 10	385
AM-226	8"	16	3.00	2+1	6 X 10	278
AM-227	10"	16	3.00	2+1	6 X 10	315
AM-228	12"	16	3.00	3+1	4 X 10	371
AM-229	14"	16	3.00	4+1	4 X 10	431
AM-230	16"	16	3.00	4+1	4 X 10	467



02 Stainless Steel  
Aldrop



**AMBİKA**<sup>®</sup>



## 16. Rainbow Latch (Tadi)

CODE	ROD LENGHT (IN INCH)	ROD SIZE (MM)	SHEET THICKNESS (MM)	KRAM + LOCK	PACKING (Pc. x Box)	M.R.P. (1 Pc.)
AM-231	8"	12	2.00	3	8 X 10	150
AM-232	10"	12	2.00	3	8 X 10	180
AM-233	12"	12	2.00	3	8 X 10	197
AM-234	14"	12	2.00	4	8 X 10	229



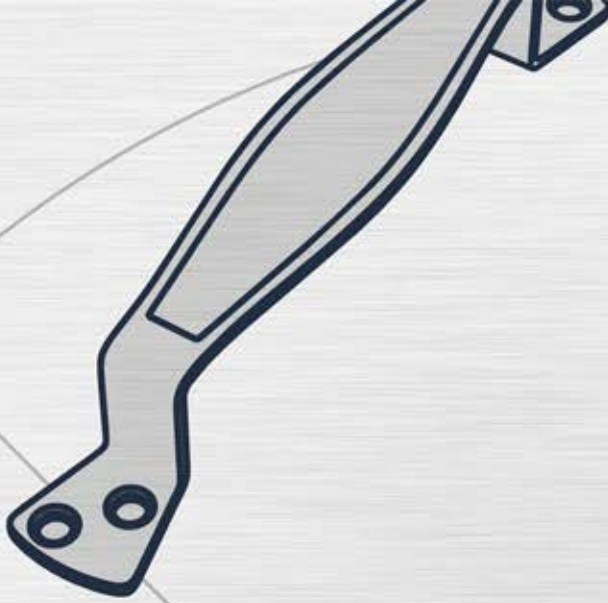
02 Stainless Steel  
Aldrop

  
**AMBIKA**<sup>®</sup>

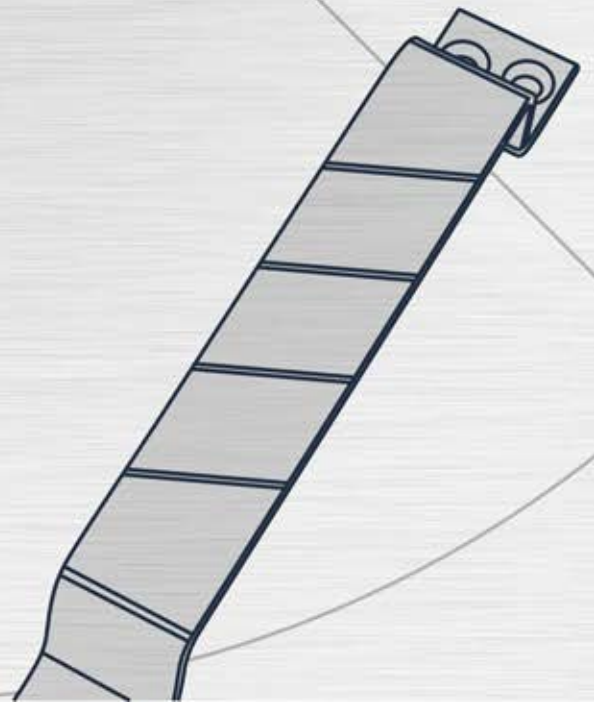


## 17. Lehar Latch (Tadi)

CODE	ROD LENGHT (IN INCH)	ROD SIZE (MM)	SHEET THICKNESS (MM)	KRAM	PACKING (Pc. x Box)	M.R.P. (1 Pc.)
AM-235	8"	12	2.00	3	8 X 10	150
AM-236	10"	12	2.00	3	8 X 10	180
AM-237	12"	12	2.00	3	8 X 10	197
AM-238	14"	12	2.00	4	8 X 10	229



**S.S.  
WINDOW &  
DOOR HANDLE**





## 03 S.S. Door & Window Handle

**AMBIKA**<sup>®</sup>



### 01 Lehar

CODE	SIZE (IN INCH)	SHEET THICKNESS (MM)	PACKING (Pc. x Box)	M.R.P. (1 Pc.)
AM-239	5"	2.5	20 X 24	43.00
AM-240	6"	2.5	20 X 24	50.00
AM-241	7"	2.5	20 X 24	52.00

### 02 Rainbow

CODE	SIZE (IN INCH)	SHEET THICKNESS (MM)	PACKING (Pc. x Box)	M.R.P. (1 Pc.)
AM-242	5"	2.5	20 X 24	43.00
AM-243	6"	2.5	20 X 24	50.00
AM-244	7"	2.5	20 X 24	52.00





### 03 S.S. Door & Window Handle



### 03. Oskar

CODE	SIZE (IN INCH)	SHEET THICKNESS (MM)	PACKING (Pc. x Box)	M.R.P. (1 Pc.)
AM-245	5"	2.5	20 X 24	48.00
AM-246	6"	2.5	20 X 24	50.00
AM-247	7"	2.5	20 X 24	52.00

### 04. Platinum

CODE	SIZE (IN INCH)	SHEET THICKNESS (MM)	PACKING (Pc. x Box)	M.R.P. (1 Pc.)
AM-248	5"	2.5	20 X 24	48.00
AM-249	6"	2.5	20 X 24	50.00
AM-250	7"	2.5	20 X 24	52.00





### 03 S.S. Door & Window Handle



### 05. Star Gold

CODE	SIZE (IN INCH)	SHEET THICKNESS (MM)	PACKING (Pc. x Box)	M.R.P. (1 Pc.)
AM-251	5"	2.5	20 X 24	48.00
AM-252	6"	2.5	20 X 24	50.00
AM-253	7"	2.5	20 X 24	52.00

### 06. Emerald

CODE	SIZE (IN INCH)	SHEET THICKNESS (MM)	PACKING (Pc. x Box)	M.R.P. (1 Pc.)
AM-254	5"	2.5	20 X 24	48.00
AM-255	6"	2.5	20 X 24	50.00
AM-256	7"	2.5	20 X 24	52.00





03 S.S. Door &  
Window Handle

  
**AMBIKA**<sup>®</sup>



## 07. Slider

CODE	SIZE (IN INCH)	SHEET THICKNESS (MM)	PACKING (Pc. x Box)	M.R.P. (1 Pc.)
AM-257	5"	2.5	20 X 24	48.00
AM-258	6"	2.5	20 X 24	50.00
AM-259	7"	2.5	20 X 24	52.00



### 03 S.S. Door & Window Handle

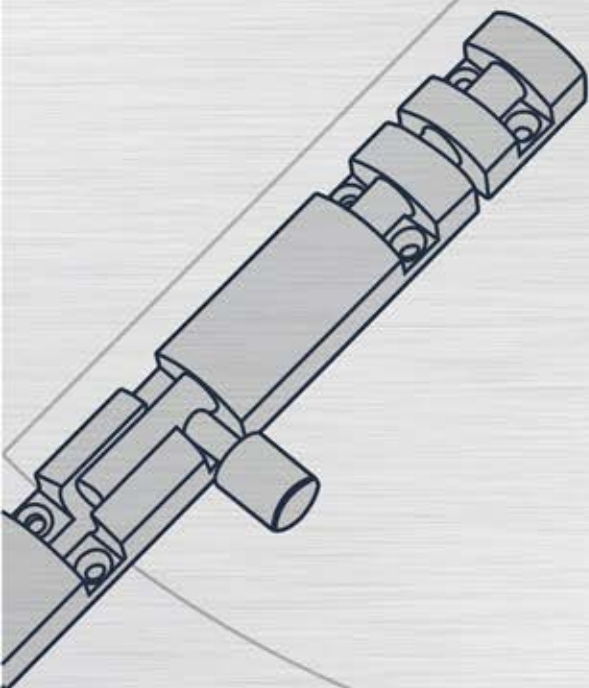
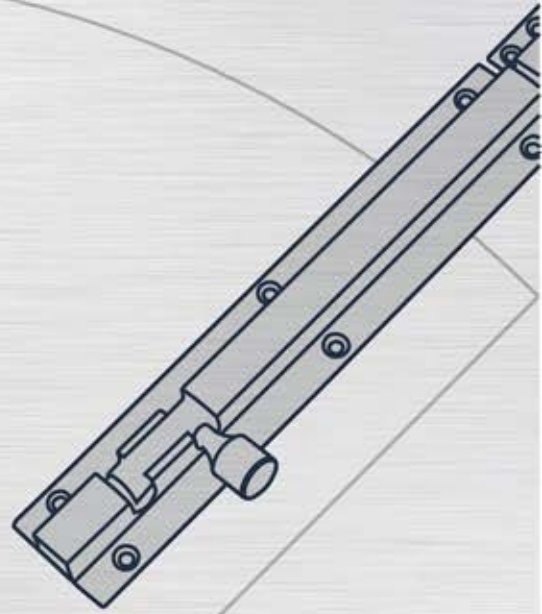
**AMBIKA**<sup>®</sup>



### 08. Rolex

CODE	SIZE (IN INCH)	SHEET THICKNESS (MM)	PACKING (Pc. x Box)	M.R.P. (1 Pc.)
AM-260	5"	2.5	20 X 24	48.00
AM-261	6"	2.5	20 X 24	50.00
AM-262	7"	2.5	20 X 24	52.00

# TOWER BOLT





## 04 Tower Bolt



# AMBIKA®



## 01 S.S. Round Tower Bolt

CODE	SIZE	ONE PC / TWO PC DESIGN	ROD SIZE (MM)	PACKING (Pc. x Box)	M.R.P. (1 Pc.)
AM-263	4"	1 Pc	10	25 x 20	69
AM-264	6"	1 Pc	10	18 x 20	97
AM-265	8"	1 Pc	10	15 x 12	119
AM-266	4"	2 Pc	10	25 x 20	91
AM-267	6"	2 Pc	10	20 x 20	119
AM-268	8"	2 Pc	10	20 x 12	146
AM-269	4"	1 Pc	12	20 x 20	97
AM-270	6"	1 Pc	12	15 x 20	138
AM-271	8"	1 Pc	12	12 x 12	179
AM-272	4"	2 Pc	12	40 x 20	98
AM-273	6"	2 Pc	12	35 x 17	145
AM-274	8"	2 Pc	12	25 x 20	193



## 04 Tower Bolt

  
**AMBIKA**<sup>®</sup>



## 02. S.S. Square Tower Bolt

CODE	SIZE	ONE PC / TWO PC DESIGN	ROD SIZE (MM)	PACKING (Pc. x Box)	M.R.P. (1 Pc.)
AM-275	4"	1 Pc	10	25 x 20	58
AM-276	6"	1 Pc	10	20 x 20	84
AM-277	8"	1 Pc	10	20 x 12	110
AM-278	4"	2 Pc	10	25 x 20	61
AM-279	6"	2 Pc	10	20 x 20	86
AM-280	8"	2 Pc	10	20 x 12	113
AM-281	4"	1 Pc	12	20 x 20	80
AM-282	6"	1 Pc	12	15 x 20	108
AM-283	8"	1 Pc	12	12 x 12	135
AM-284	4"	2 Pc	12	20 x 20	99
AM-285	6"	2 Pc	12	15 x 20	127
AM-286	8"	2 Pc	12	12 x 12	165



## 04 Tower Bolt



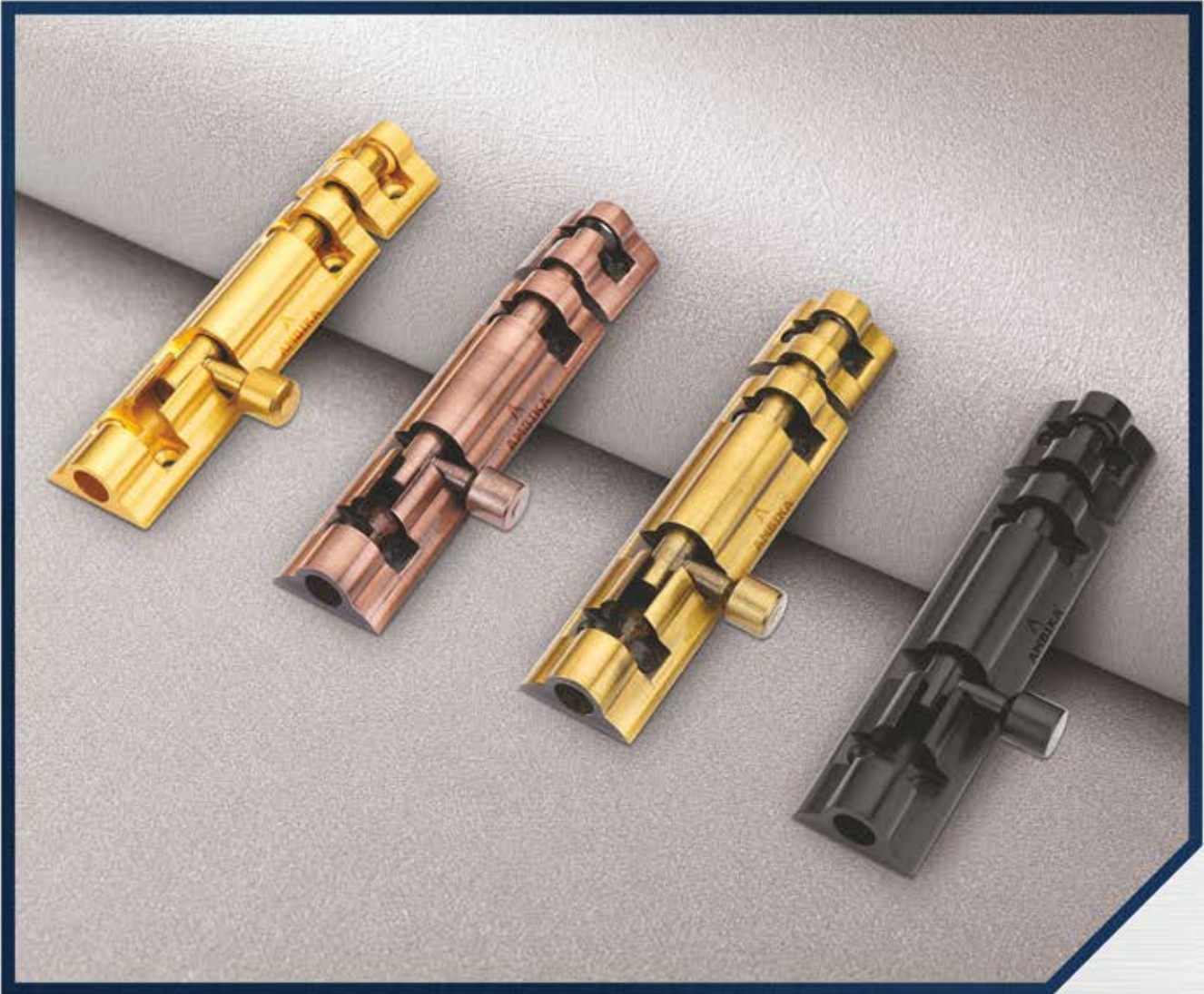
### 03. Matka Aluminium Tower Bolt

CODE	SIZE	ROD SIZE (MM)	PACKING (Pc. x Box)	S.S. Finish	Antique / R.G.	Black Finish
AM-287	4"	10 MM	20 X 22	110	123	133
AM-288	6"	10 MM	15 X 20	165	183	200
AM-289	8"	10 MM	10 X 24	220	243	265
AM-290	10"	10 MM	10 X 19	275	303	330
AM-291	4"	12 MM	10 X 32	150	160	173
AM-292	6"	12 MM	7 X 30	215	233	248
AM-293	8"	12 MM	7 X 23	283	303	325
AM-294	10"	12 MM	7 X 19	348	375	403



## 04 Tower Bolt

**AMBIKA**<sup>®</sup>



### 04. Flower Aluminium Tower Bolt

CODE	SIZE	ROD SIZE (MM)	PACKING (Pc. x Box)	S.S. Finish	Antique / R.G.	Black Finish
AM-295	4"	9 MM	20 X 22	118	128	138
AM-296	6"	9 MM	15 X 20	163	178	195
AM-297	8"	9 MM	10 X 24	215	238	260
AM-298	10"	9 MM	10 X 19	270	298	325



## 04 Tower Bolt

  
**AMBIKA**<sup>®</sup>



## 05. Saylo Aluminium Tower Bolt

CODE	SIZE	ROD SIZE (MM)	PACKING (Pc. x Box)	S.S. Finish	Antique / R.G.	Black Finish
AM-299	4"	9 MM	20 X 22	118	128	138
AM-300	6"	9 MM	15 X 20	163	178	195
AM-301	8"	9 MM	10 X 24	215	238	260
AM-302	10"	9 MM	10 X 19	270	298	325



04 Tower Bolt

  
**AMBIKA**<sup>®</sup>



## 06. Triangle Aluminium Tower Bolt

CODE	SIZE	ROD SIZE (MM)	PACKING (Pc. x Box)	S.S. Finish	Antique / R.G.	Black Finish
AM-303	4"	9 MM	20 X 22	118	128	138
AM-304	6"	9 MM	15 X 20	163	178	195
AM-305	8"	9 MM	10 X 24	215	238	260
AM-306	10"	9 MM	10 X 19	270	298	325



## 04 Tower Bolt



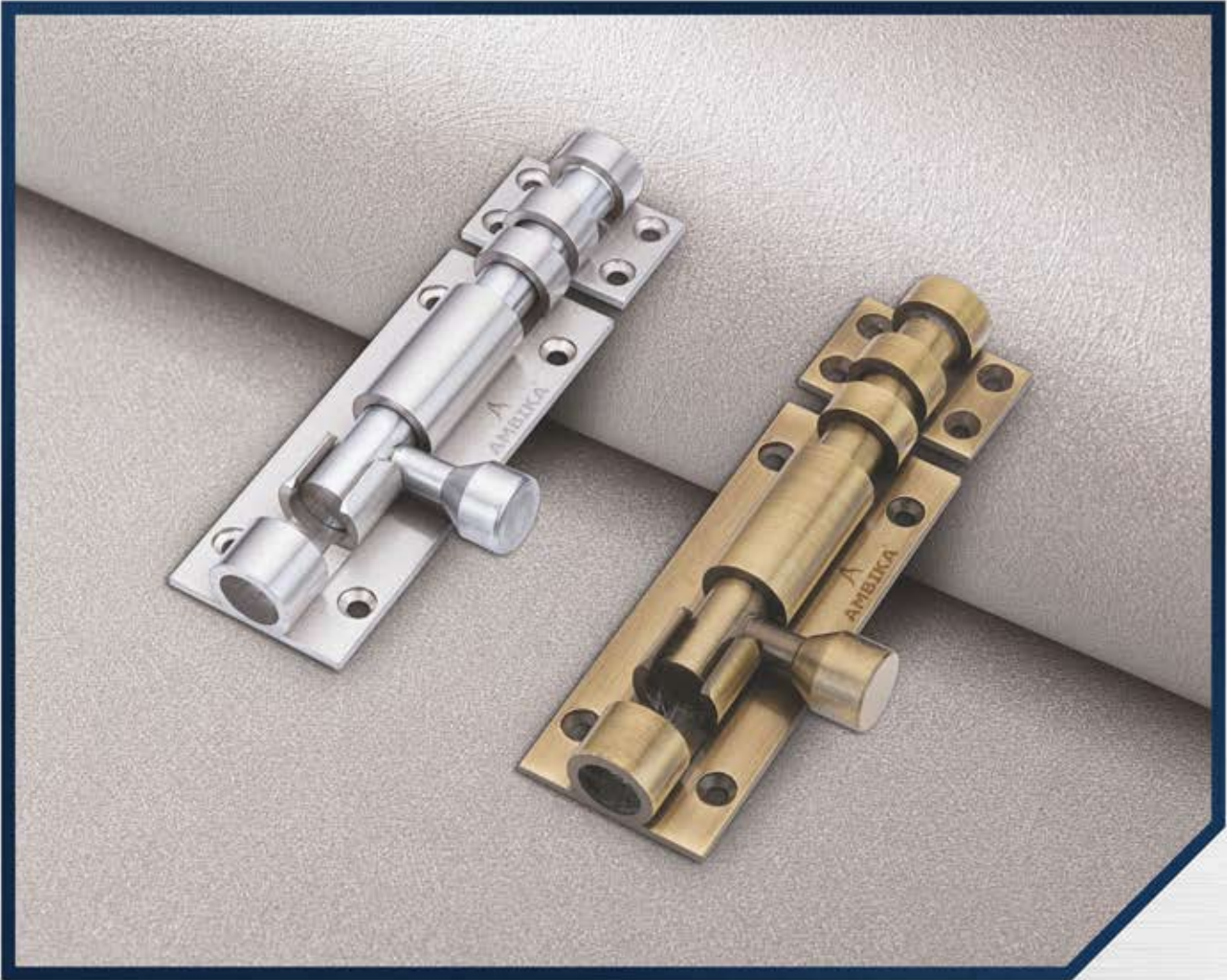
## 07. Xylo Aluminium Tower Bolt

CODE	SIZE	ROD SIZE (MM)	PACKING (Pc. x Box)	S.S. Finish	Antique / R.G.	Black Finish
AM-307	4"	9 MM	20 X 22	118	128	138
AM-308	6"	9 MM	15 X 20	163	178	195
AM-309	8"	9 MM	10 X 24	215	238	260
AM-310	10"	9 MM	10 X 19	270	298	325



## 04 Tower Bolt

**AMBIKA**<sup>®</sup>



## 08. Apple Aluminium Tower Bolt

CODE	SIZE	ROD SIZE (MM)	PACKING (Pc. x Box)	S.S. Finish	Antique / R.G.	Black Finish
AM-311	4"	12 MM	10 X 32	155	165	178
AM-312	6"	12 MM	7 X 30	225	240	258
AM-313	8"	12 MM	7 X 23	293	315	338
AM-314	10"	12 MM	7 X 19	363	390	418



## 04 Tower Bolt



## 09. Royal Aluminium Tower Bolt

CODE	SIZE	ROD SIZE (MM)	PACKING (Pc. x Box)	S.S. Finish	Antique / R.G.	Black Finish
AM-315	4"	9 MM	20 X 22	118	128	138
AM-316	6"	9 MM	15 X 20	163	178	195
AM-317	8"	9 MM	10 X 24	215	238	260
AM-318	10"	9 MM	10 X 19	270	298	325



04 Tower Bolt

  
**AMBIKA**<sup>®</sup>



## 10. Square Aluminium Tower Bolt

CODE	SIZE	ROD SIZE (MM)	PACKING (Pc. x Box)	S.S. Finish	Antique / R.G.	Black Finish
AM-319	4"	9 MM	20 X 22	123	133	145
AM-320	6"	9 MM	15 X 20	183	200	215
AM-321	8"	9 MM	10 X 24	243	265	288
AM-322	10"	9 MM	10 X 19	303	300	358



04 Tower Bolt

**AMBIKA**<sup>®</sup>



## 11 Super Marble Solid Tower Bolt

CODE	SIZE	ROD SIZE (MM)	PACKING (Pc. x Box)	S.S. Finish	Antique / R.G.	Black Finish
AM-323	4"	9 MM	12 X 32	145	155	165
AM-324	6"	9 MM	8 X 32	208	225	240
AM-325	8"	9 MM	8 X 25	270	293	315
AM-326	10"	9 MM	8 X 20	335	363	390



## 04 Tower Bolt

**AMBIKA**<sup>®</sup>



## 12. Round 1PC. Tower Bolt

CODE	SIZE	ROD SIZE (MM)	PACKING (Pc. x Box)	S.S. Finish	Antique / R.G.	Black Finish
AM-327	4"	10 MM	20 X 22	135	148	158
AM-328	6"	10 MM	15 X 20	203	220	238
AM-329	8"	10 MM	10 X 24	270	293	315
AM-330	10"	10 MM	10 X 19	338	365	393
AM-331	4"	12 MM	10 X 32	150	160	173
AM-332	6"	12 MM	7 X 30	225	240	258
AM-333	8"	12 MM	7 X 23	298	320	343
AM-334	10"	12 MM	7 X 19	373	400	428



04 Tower Bolt

**AMBIKA**<sup>®</sup>



### 13. Round 2PC. Tower Bolt

CODE	SIZE	ROD SIZE (MM)	PACKING (Pc. x Box)	S.S. Finish	Antique / R.G.	Black Finish
AM-335	4"	10 MM	20 X 22	133	123	133
AM-336	6"	10 MM	15 X 20	200	183	200
AM-337	8"	10 MM	10 X 24	265	243	268
AM-338	10"	10 MM	10 X 19	275	303	333



04 Tower Bolt

  
**AMBIKA**<sup>®</sup>



#### 14. Xylo Baby Latch Tower Bolt

CODE	SIZE	ROD SIZE (MM)	PACKING (Pc. x Box)	S.S. Finish	Antique / R.G.	Black Finish
AM-339	3"	9 MM	18 X 20	113	120	130
AM-340	4"	9 MM	16 X 20	135	148	158



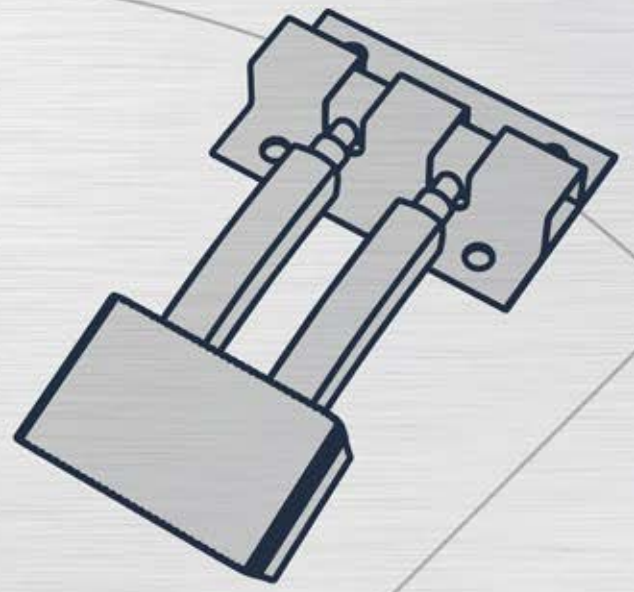
04 Tower Bolt

**AMBIKA**<sup>®</sup>

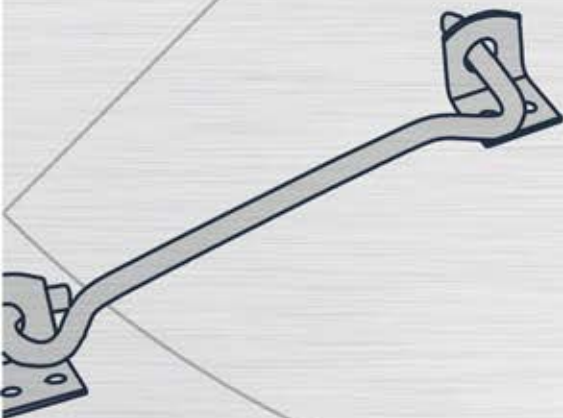


### 15. Square/Ovel Baby Latch Tower Bolt

CODE	SIZE	ROD SIZE (MM)	PACKING (Pc. x Box)	S.S. Finish	Antique / R.G.	Black Finish
AM-341	3"	-	18 X 20	150	158	168
AM-342	4"	-	16 X 20	173	185	195
AM-343	5"	-	12 X 20	208	223	235



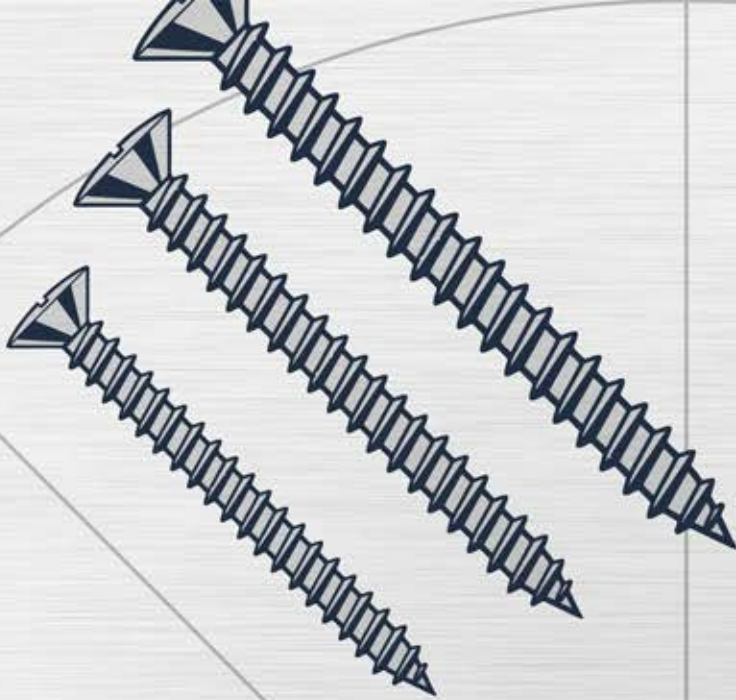
**DOOR STOPPER  
&  
GATE HOOK**



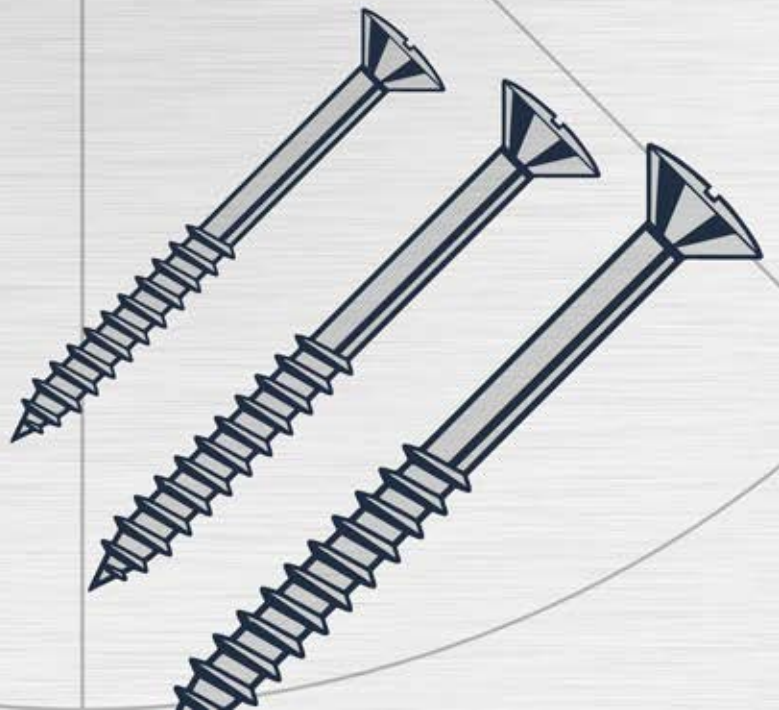


## 01 Gate Hook & Door Stopper

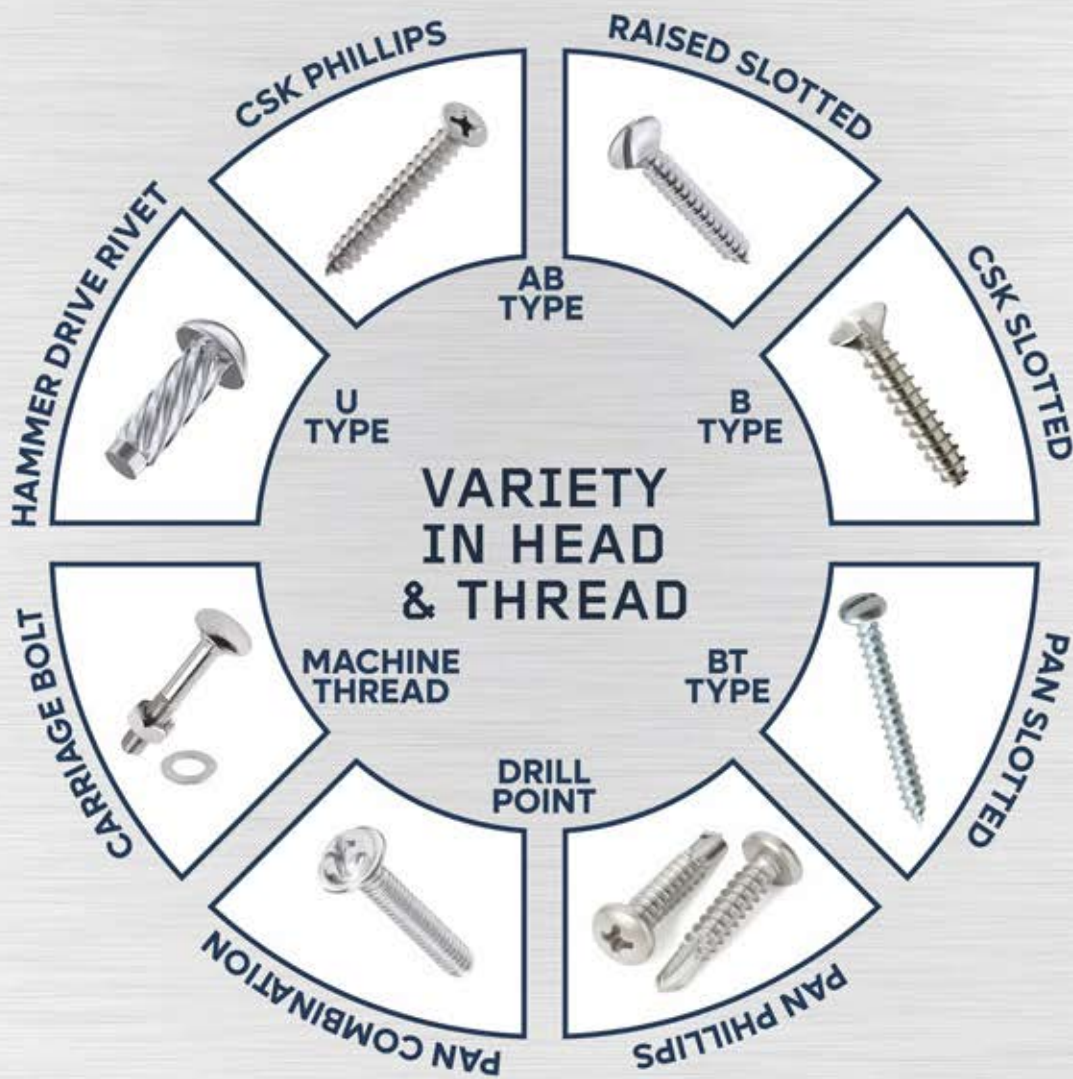
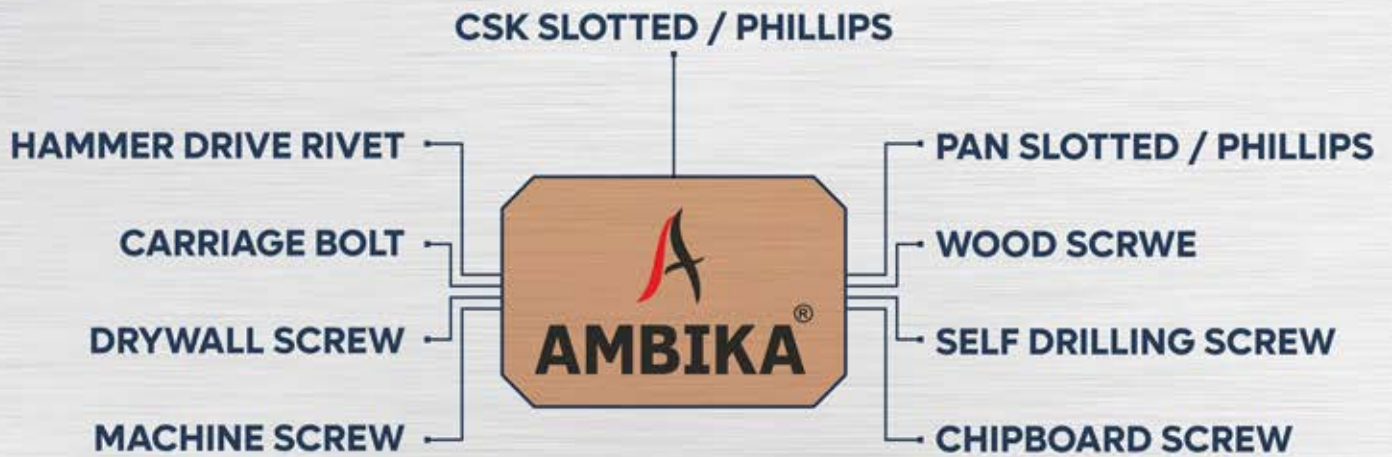
PRODUCT NAME	CODE	LENGHT (IN INCH)	PCS PER BOX	M.R.P PER BOX
Gate Hook-Type Round	AM-344	2"	60	413
Gate Hook-Type Round	AM-345	2.5"	60	515
Gate Hook-Type Round	AM-346	5"	60	990
Gate Hook-Round Type With Ring	AM-347	2"	48	1045
Gate Hook-Round Type With Ring	AM-348	2.5"	48	1068
Gate Hook-Round Type With Ring	AM-349	5"	48	1178
Gate Hook-With Cram	AM-350	2"	24	588
Gate Hook-With Cram	AM-351	2.5"	24	615
Gate Hook -With Cram	AM-352	5"	24	758
Gate Hook-With Cram With Ring	AM-353	2"	24	855
Gate Hook-With Cram With Ring	AM-354	2.5"	24	898
Gate Hook-With Cram With Ring	AM-355	5"	24	1098
Door Stopper (Double)	AM-356	3"	20	2260
Door Magnet	AM-357	3"	10	4125



# SCREW



# OUR PRODUCT RANGE OF SCREW





06 Screw



**AMBIKA**<sup>®</sup>



## 01 SS CSK Philips Head Screw

CODE	SIZE (MM)	PCS PER BOX	BOX PER CASE	M.R.P. PER BOX	CODE	SIZE (MM)	PCS PER BOX	BOX PER CASE	M.R.P. PER BOX
AM-358	13x4	1000	92	625	AM-372	30x7	500	63	920
AM-359	16x4	1000	78	700	AM-373	13x8	1000	63	1,270
AM-360	19x4	1000	78	770	AM-374	16x8	1000	42	1,320
AM-361	25x4	1000	63	810	AM-375	19x8	1000	42	1,425
AM-362	13x5	1000	78	730	AM-376	25x8	500	63	825
AM-363	16x5	1000	78	810	AM-377	35x8	500	42	1,100
AM-364	19x5	1000	78	920	AM-378	38x8	500	42	1,145
AM-365	25x5	1000	42	1,080	AM-379	50x8	250	42	708
AM-366	13x6	1000	78	760	AM-380	60x8	250	42	1,053
AM-367	16x6	1000	78	860	AM-381	75x8	250	42	1,625
AM-368	19x6	1000	63	940	AM-382	50x10	250	42	945
AM-369	25x6	1000	42	1,300	AM-383	60x10	250	42	1,875
AM-370	32x6	500	63	740	AM-384	75x10	250	42	3,100
AM-371	38x6	500	42	920	AM-385	100x10	100	63	1,528



06 Screw



**AMBIKA**<sup>®</sup>



## 02. MS Drywall Indian Black Screw

CODE	SIZE (MM)	PCS PER BOX	BOX PER CASE	M.R.P. PER BOX
AM-386	19X6	1000	24	335
AM-387	25X6	1000	24	408
AM-388	32X6	500	42	260
AM-389	38X6	500	24	330
AM-390	50X6	250	42	215



06 Screw



**AMBIKA**<sup>®</sup>



### 03. MS Drywall Imported Black Screw

CODE	SIZE (MM)	PCS PER BOX	BOX PER CASE	M.R.P. PER BOX
AM-391	13X6	2000	24	525
AM-392	16X6	1500	24	495
AM-393	19X6	1000	24	375
AM-394	25X6	1000	24	460
AM-395	32X6	500	42	300
AM-396	38X6	500	24	358
AM-397	50X6	250	42	245
AM-398	60X6	200	42	235
AM-399	75X6	200	42	275
AM-400	19X8	1000	24	490
AM-401	25X8	800	24	495
AM-402	32X8	500	24	395
AM-403	38X8	500	24	450
AM-404	50X8	250	42	300



06 Screw



**AMBIKA**<sup>®</sup>



#### 04. MS Drywall Indian CP Screw

CODE	SIZE (MM)	PCS PER BOX	BOX PER CASE	M.R.P. PER BOX
AM-405	13X6	2000	16	585
AM-406	19X6	1000	24	375
AM-407	25X6	1000	24	465
AM-408	32X6	500	42	300
AM-409	38X6	500	24	385
AM-410	50X6	250	42	250



06 Screw

  
**AMBIKA**<sup>®</sup>



## 05. MS Drywall Imported CP Screw

CODE	SIZE (MM)	PCS PER BOX	BOX PER CASE	M.R.P. PER BOX
AM-411	13X6	2000	16	685
AM-412	16X6	1500	24	610
AM-413	19X6	1000	24	445
AM-414	25X6	1000	24	550
AM-415	32X6	500	42	365
AM-416	38X6	500	24	420
AM-417	50X6	250	42	270
AM-418	60X6	200	42	330
AM-419	75X6	200	42	315
AM-420	19x8	1000	24	550
AM-421	25X8	800	24	525
AM-422	32X8	500	24	410
AM-423	38X8	500	24	435
AM-424	50x8	250	24	400



06 Screw



**AMBIKA**<sup>®</sup>



## 06. MS Chipboard Indian Screw

CODE	SIZE (MM)	PCS PER BOX	BOX PER CASE	M.R.P. PER BOX
AM-425	50x5	200	42	340
AM-426	60x5	200	24	400
AM-427	75x5	150	24	365
AM-428	100x5	100	42	325

## 07. MS Chipboard Imported Screw

CODE	SIZE (MM)	PCS PER BOX	BOX PER CASE	M.R.P. PER BOX
AM-429	50x5	200	42	360
AM-430	60x5	200	24	435
AM-431	75x5	150	24	390
AM-432	100x5	100	42	345



06 Screw



**AMBIKA**<sup>®</sup>



## 08. HEX Imported SDS Screw

CODE	SIZE (MM)	PCS PER BOX	BOX PER CASE	M.R.P. PER BOX
AM-433	20x10	250	42	400
AM-434	25x10	100	42	375
AM-435	25x10	150	42	320
AM-436	35x12	150	42	375
AM-437	55x12	100	42	350
AM-438	65x12	50	60	260
AM-439	75x12	50	60	285



06 Screw



**AMBIKA**<sup>®</sup>



## 09. Truss Imported SDS Screw

CODE	SIZE (MM)	PCS PER BOX	BOX PER CASE	M.R.P. PER BOX
AM-440	13x8	800	24	525
AM-441	16x8	800	24	625
AM-442	19x8	700	24	565
AM-443	25x8	500	24	510
AM-444	32x8	250	42	340
AM-445	38x8	200	42	315
AM-446	50x8	100	60	230



06 Screw



**AMBIKA**<sup>®</sup>



## 10. CSK Imported SDS Screw

CODE	SIZE (MM)	PCS PER BOX	BOX PER CASE	M.R.P. PER BOX
AM-447	13x6	2000	16	740
AM-448	13x7	1000	24	435
AM-449	19x7	1000	24	550
AM-450	25x7	800	24	540
AM-451	32x7	500	24	485
AM-452	38x7	500	24	560
AM-453	50x7	250	42	365



06 Screw



**AMBIKA**<sup>®</sup>



## 11 MS Wood Screw

CODE	SIZE (MM)	PCS PER BOX	BOX PER CASE	M.R.P. PER BOX
AM-454	20x5	200	405	95
AM-455	25x6	200	270	115
AM-456	30x7	100	324	75
AM-457	35x8	100	270	90
AM-458	50x10	100	120	165
AM-459	60x10	100	120	195
AM-460	75x10	100	88	360
AM-461	100x10	100	69	385



**AMBIKA**<sup>®</sup>

SINCE 2007

AN ISO 9001: 2008 CERTIFIED

BUILT  
STRONGLY  
TO LAST  
FOREVER

Mfg. By.:

**Balaji Kripa Iron & Steel Pvt. Ltd.**

Riico Industrial Area, Bagru,  
Jaipur, Rajasthan, India.

C : +91 96024 71100

M : ambikadoorfittings@gmail.com

W : www.Balajikripasteel.com



Follow us : @ambikadoorfittings

